

Lavatory siphon - Brushed Dark Platinum

SERIES SPECIFIC

10 060 970 Product version from 10/1/2023

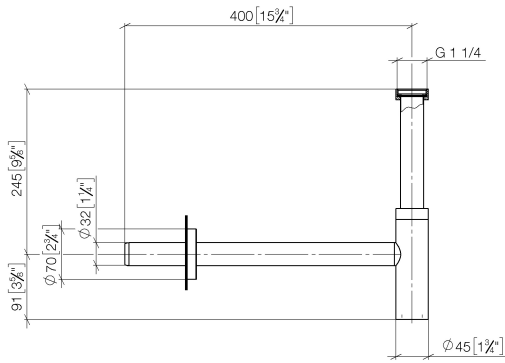
- Flange diameter 2-3/4"



	Brushed Dark Platinum	10 060 970-99
	Chrome	10 060 970-00
	Brushed Platinum	10 060 970-06
	Platinum	10 060 970-08
	Durabrand (23kt Gold)	10 060 970-09
	Dark Chrome	10 060 970-19
	Light Gold (PVD)	10 060 970-26
	Brushed Light Gold (PVD)	10 060 970-27
	Brushed Durabrand (23kt Gold)	10 060 970-28
	Matte Black	10 060 970-33
	Brushed Dark Brass (PVD)	10 060 970-39
	Brushed Bronze (PVD)	10 060 970-42
	Brushed Dark Bronze (PVD)	10 060 970-43
	Brushed Champagne (22kt Gold)	10 060 970-46
	Champagne (22kt Gold)	10 060 970-47
	Brushed Chrome	10 060 970-93

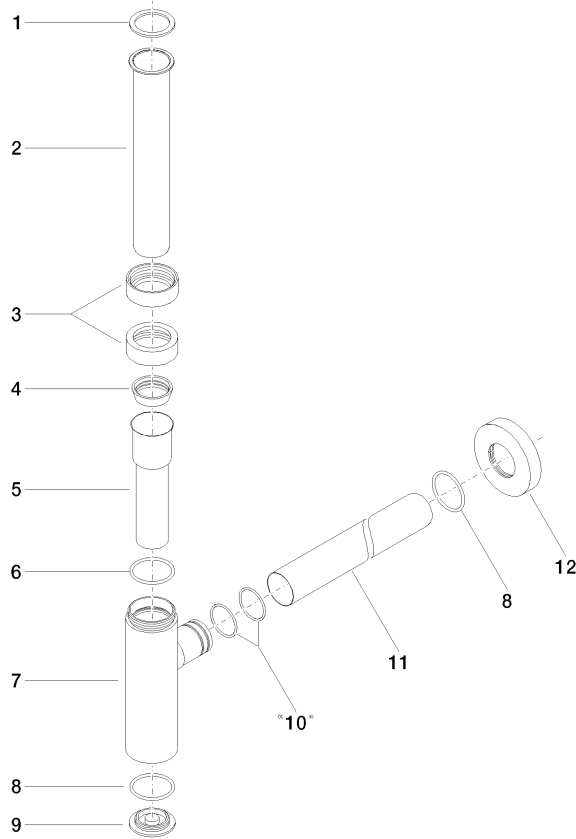
10 060 970 Product version from 10/1/2023

mm [inches]



10 060 970 Product version from 10/1/2023

Parts for other finishes can be found here: [Chrome](#)



Spare parts list

Number	Item Number	Designation	Number of units	Lead time
9	09 21 02 004-99	lid	1.00	20
10	09 14 10 112 90	seal	2.00	2
11	09 28 23 018-99	pipe	1.00	20
4	09 14 03 015 90	seal	1.00	2
6	09 14 10 149 90	seal	1.00	2
5	09 28 23 019-99	pipe	1.00	-
Spare part can no longer be ordered, please order the replacement item				
12	09 27 20 060-99	rosette	1.00	20
8	09 14 10 148 90	seal	2.00	2
2	09 28 23 007-99	pipe	1.00	20
7	04 11 01 045 00-99	casing	1.00	20
1	09 14 20 060 90	seal	1.00	2
3	09 23 30 022-99	nut	2.00	20