

19 870 809 Product version from 7/1/2023



- 240mm projection
- pivotable spout 360°
- Optional swivel limiter available with swivel limiter set 12 823 970 90
- air-enriched flow and spray flow
- 1800 mm metal shower hose
- sprayface with anti-scaling system
- max. flow 8 l/min at 3 bar flow pressure
- lead-free
- Flow modes can be changed while the water is running
- This product can help a building meet the requirements of Green Building Rating Systems, e.g. LEED®, BREEAM®, DGNB

Intrinsic protection against back flow.

	Brushed Platinum	19 870 809-06
	Chrome	19 870 809-00
	Platinum	19 870 809-08
	Durabronze (23kt Gold)	19 870 809-09
	Dark Chrome	19 870 809-19
	Brushed Durabronze (23kt Gold)	19 870 809-28
	Matte Black	19 870 809-33
	Brushed Dark Brass (PVD)	19 870 809-39
	Brushed Bronze (PVD)	19 870 809-42
	Brushed Champagne (22kt Gold)	19 870 809-46
	Champagne (22kt Gold)	19 870 809-47
	Brushed Chrome	19 870 809-93
	Brushed Dark Platinum	19 870 809-99

Recommended miscellaneous

Swivel limitation set -

12 823 970 90



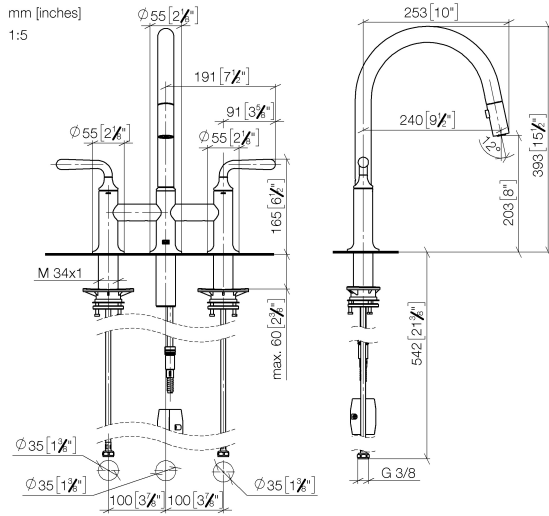
Recommended miscellaneous

VAIA Dispenser with rosette -
Brushed Platinum

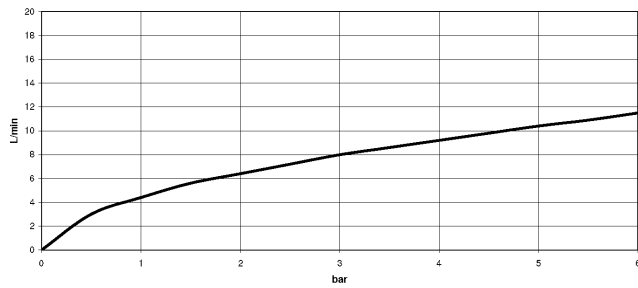
82 434 809-06



19 870 809 Product version from 7/1/2023



Flow rate chart



Codes & Standards

DIN 4109

EN 1717

ISO 3822

Ü-Zeichen



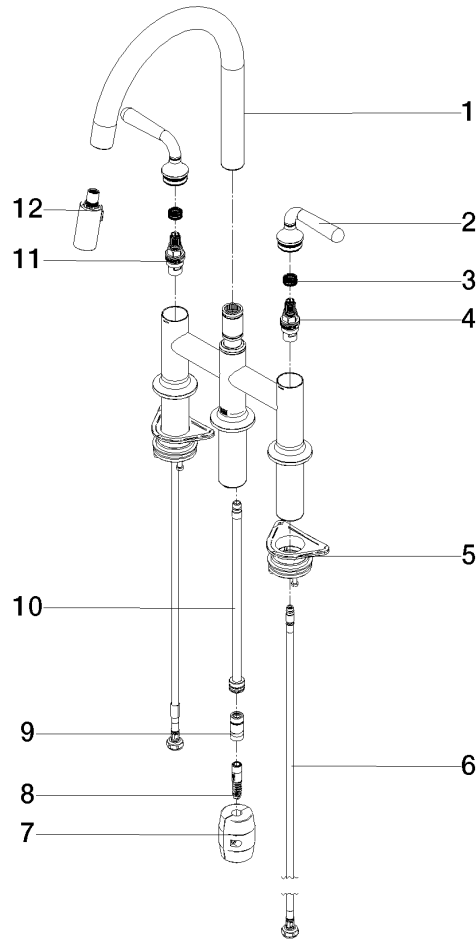
VAIA Three-hole bridge mixer Pull-down with spray function - Brushed Platinum

VAIA

19 870 809 Product version from 7/1/2023

Certificates and sustainability

LGA_38	Belgaqua_24-005-2	EPD-DOR-20230287 -IBA1-EN Environmental.prod uct-declarat
--------	-------------------	--



Spare parts list

No.	Item Number	Name	Quantity used	Delivery time
	3 90 12 12 232 00 90	fixing cap	2.00	2
	6 04 30 04 100 00 90	hose	2.00	2
	2 90 20 80 057 00-06	handle	2.00	10
	4 90 90 03 130 00 90	top	1.00	2
	5 04 30 11 040 00 90	fixing set	2.00	2
	7 04 21 50 010 00 90	accessories	1.00	2
	1 90 28 22 397 00-06	spout	1.00	10
	9 90 24 03 253 00 90	adaptor	1.00	2
	10 04 28 20 067 00 90	pipe	1.00	2
	11 90 90 03 131 00 90	top	1.00	2
	8 04 30 02 120 00-85	hose	1.00	10
	12 90 18 40 317 00-06	shower	1.00	10