

**TARA Single-hole mixer - Champagne (22kt Gold)**

TARA

22 815 892 Product version from 5/27/2021



- 235mm projection
- pivotable spout 360°
- air-enriched flow
- height of mixer 378 mm
- height up to aerator 220 mm
- hole diameter 35 mm
- max. flow 7 l/min at 3 bar flow pressure
- lead-free
- This product can help a building meet the requirements of Green Building Rating Systems, e.g. LEED®, BREEAM®, DGNB
- WRAS

	Champagne (22kt Gold)	22 815 892-47
	Chrome	22 815 892-00
	Brushed Platinum	22 815 892-06
	Platinum	22 815 892-08
	Durabronze (23kt Gold)	22 815 892-09
	Dark Chrome	22 815 892-19
	Brushed Durabronze (23kt Gold)	22 815 892-28
	Matte Black	22 815 892-33
	Brushed Dark Brass (PVD)	22 815 892-39
	Brushed Bronze (PVD)	22 815 892-42
	Brushed Champagne (22kt Gold)	22 815 892-46
	Brushed Chrome	22 815 892-93
	Brushed Dark Platinum	22 815 892-99

**Recommended miscellaneous**

**Strainer waste with control handle - Champagne (22kt Gold)** 10 710 970-47

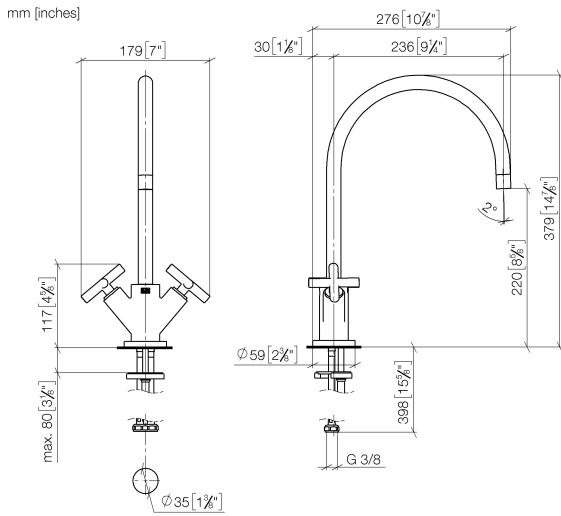


**Recommended miscellaneous**

**Dispenser with rosette - Champagne (22kt Gold)** 82 444 970-47



22 815 892 Product version from 5/27/2021



Flow rate chart



Codes & Standards

DIN 4109

EN 200

Executive Order  
no. 1007

ISO 3822

Scottish Water  
Byelaws

UK Water Supply  
Regulations

Ü-Zeichen

VA-Zeichen



## TARA Single-hole mixer - Champagne (22kt Gold)

TARA

22 815 892 Product version from 5/27/2021

### Certificates and sustainability

ETA\_18

LGA\_19

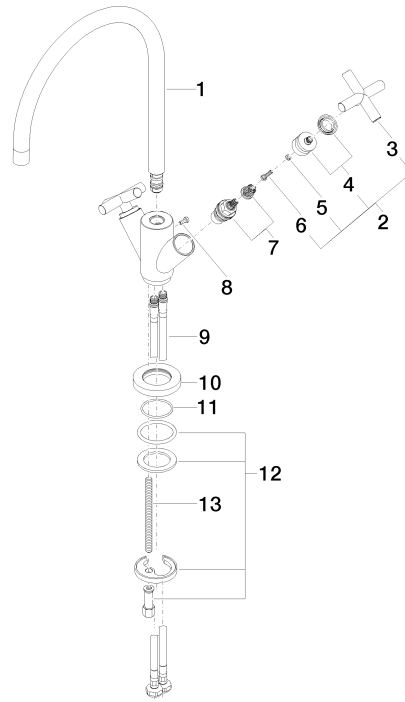
GDV\_0400

WRAS\_240702

EPD-DOR-20230287  
-IBA1-EN  
Environmental.prod  
uct-declarat

22 815 892 Product version from 5/27/2021

Parts for other finishes can be found here: [Chrome](#)



## Spare parts list

No.	Item Number	Name	Quantity used	Delivery time
8	09 30 30 054 90	screw	1.00	2
4	90 12 12 007 00-47	base	2.00	30
3	09 20 89 010-47	handle	2.00	60
7	90 90 03 151 00 90	top	2.00	2
10	09 28 10 132-47	ring	1.00	30
11	09 14 10 134 90	seal	1.00	2
9	04 30 04 104 00 90	hose	2.00	2
12	04 30 11 038 00 90	fixing set	1.00	2
13	09 31 11 012 90	pin	1.00	2
1	90 28 22 226 01-47	spout	1.00	30
6	90 30 30 075 00 90	screw	2.00	2
2	90 20 89 010 10-47	handle	2.00	30
5	90 30 11 029 00 90	disc	2.00	2