

VAIA Two-hole tub mixer for freestanding installation with hand shower set - Chrome

VAIA

25 943 819 Product version from 3/13/2017 to 5/27/2021



- Spout: Round aerated stream
- Water flow rate limited to max. 6.5 gpm
- Hand-held shower: COMPACT RAIN, flow rate max. 1.8 gpm (at 3 bar)
- Hand shower with descaling system
- 8-3/4" Projection
- Swiveling spout 360°
- Tub / shower diverter
- Total height 36-1/4"
- Riser height 24-3/4"
- Height to aerator/spout outlet 32-1/8"
- Flanges Ø 3-7/8"
- Center to center 5-7/8"
- Metal shower hose 49-1/4" with anti-twist device
- Hand shower to be mounted on right pillar

Internal backflow preventer.

(ADA)

NOTE: Local building codes may require the use of an anti-scald device. Please refer to remote pressure balance valve (35 914 970 90)

Internal backflow preventer.

(ADA)

NOTE: Local building codes may require the use of an anti-scald device. Please refer to remote pressure balance valve (35 914 970 90)

	Chrome	25 943 819-00
	Brushed Platinum	25 943 819-06
	Platinum	25 943 819-08
	Dark Chrome	25 943 819-19
	Brushed Durabronze (23kt Gold)	25 943 819-28
	Brushed Dark Brass (PVD)	25 943 819-39
	Brushed Bronze (PVD)	25 943 819-42
	Brushed Champagne (22kt Gold)	25 943 819-46
	Champagne (22kt Gold)	25 943 819-47
	Brushed Dark Platinum	25 943 819-99

Required article



Floor mounting rough set -

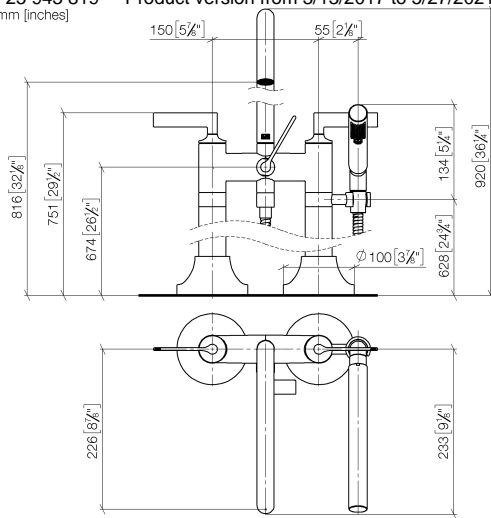
- Max. rough in depth 6-1/4"
- Min. rough in depth 3-1/8"

35 951 970-90
0010

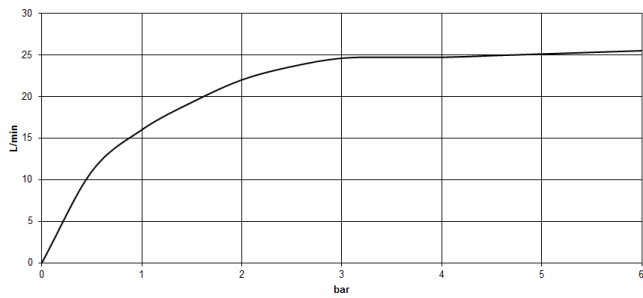
**VAIA Two-hole tub mixer for freestanding installation with hand shower set -
Chrome**

VAIA

25 943 819 Product version from 3/13/2017 to 5/27/2021
mm [inches]



Flow rate chart



Codes & Standards

ASME A112.18.1	California Energy Commission (CEC)	cUPC	DIN 4109
EN 1717	ISO 3822	Scottish Water Byelaws	UK Water Supply Regulations

Ü-Zeichen



VAIA Two-hole tub mixer for freestanding installation with hand shower set -
Chrome

VAIA

25 943 819 Product version from 3/13/2017 to 5/27/2021

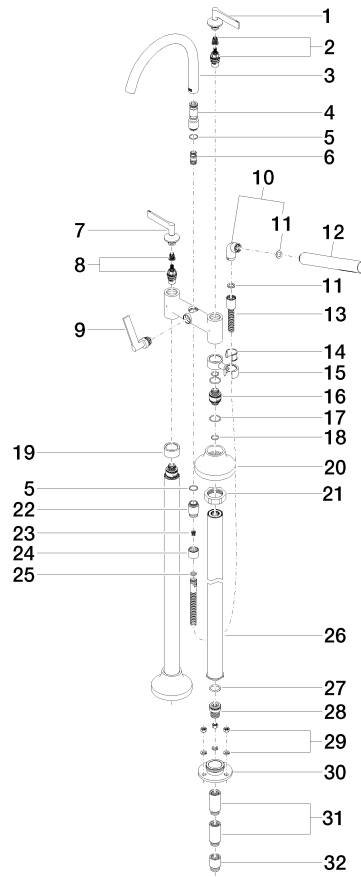
Certificates and sustainability

IAPMO_4976

Belgauqa_22_276_2 LGA_29

WRAS_240502

25 943 819 Product version from 3/13/2017 to 5/27/2021





VAIA Two-hole tub mixer for freestanding installation with hand shower set - Chrome

VAIA

25 943 819 Product version from 3/13/2017 to 5/27/2021

Spare parts list

Number	Item Number	Designation	Number of units	Lead time
3	90 28 22 317 00-00	spout	1.00	10
32	09 24 03 080 90	extension	2.00	2
20	90 27 80 019 00-00	rosette	2.00	10
15	04 28 10 029 01-00	holder	1.00	10
30	09 30 11 130-07	connection	2.00	30
16	09 29 05 021 20 90	nipple	2.00	2
2	90 90 03 130 00 90	top	1.00	2
21	09 23 30 040-07	nut	2.00	30
1	90 20 80 012 01-00	handle (cold)	1.00	10
28	09 24 03 094-07	nipple	2.00	30
26	04 28 22 009 20-00	connection	2.00	10
6	90 21 10 011 00 90	diverter	1.00	2
27	09 14 10 081 90	seal	2.00	2
7	90 20 80 013 01-00	handle (hot)	1.00	10
8	90 90 03 131 00 90	top	1.00	2
13	90 30 02 072 00-00	Metal shower hose 1/2" x 3/8" x 49-1/4" - Chrome	1.00	10
4	09 24 03 273-00	nipple	1.00	10
22	09 24 03 121-00	nipple	1.00	10
24	09 21 02 143-00	sleeve	1.00	10
17	09 14 10 112 90	seal	4.00	2
31	09 24 03 081 10 90	extension	4.00	2
29	04 23 10 023 00 90	fixing set	6.00	2
23	09 23 01 131 90	back-flow preventer	1.00	2
19	09 28 10 028-00	sleeve	1.00	10
10	04 24 04 189 00-00	nipple	1.00	10
9	90 20 80 015 02-00	handle	1.00	10
11	90 14 20 002 00 90	seal	1.00	2
18	90 14 10 055 00 90	seal	4.00	2
14	90 18 40 035 00 90	sleeve	1.00	2
5	90 14 10 032 00 90	seal	1.00	2
25	90 14 20 026 00 90	seal	1.00	2
12	90 12 11 140 41-00	shower	1.00	10