

27 802 660



- COMPACT RAIN, flow rate max. 1.8 gpm (at 3 bar)
- Descaling system
- 3/8" Shower outlet
- Metal shower hose 49-1/4" with anti-twist device

**Technical data:**

- Flange diameter 2-3/8"
- 1/2" connection

**Notes:**

- This product reduces water consumption by 28% (compared to requirements of EPAAct '92)
- This product contributes to meeting the requirements of the LEED® Green Building Rating
- This product can help a building meet the requirements of Green Building Rating Systems, e.g. LEED®, BREEAM®, DGNB

Internal backflow preventer.

	Chrome	27 802 660-00 0010
	Brushed Platinum	27 802 660-06 0010
	Platinum	27 802 660-08 0010
	Dark Chrome	27 802 660-19 0010
	Light Gold (PVD)	27 802 660-26 0010
	Brushed Light Gold (PVD)	27 802 660-27 0010
	Brushed Durabronze (23kt Gold)	27 802 660-28 0010
	Matte Black	27 802 660-33 0010
	Brushed Dark Brass (PVD)	27 802 660-39 0010
	Brushed Bronze (PVD)	27 802 660-42 0010
	Brushed Champagne (22kt Gold)	27 802 660-46 0010
	Champagne (22kt Gold)	27 802 660-47 0010
	Brushed Chrome	27 802 660-93 0010
	Brushed Dark Platinum	27 802 660-99 0010

Recommended article

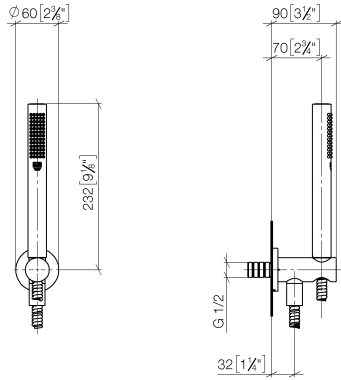
Rough-in adapter -

35 080 970-90  
0010



27 802 660

mm [inches]



Codes & Standards

California Energy  
Commission  
(CEC)

DIN 4109

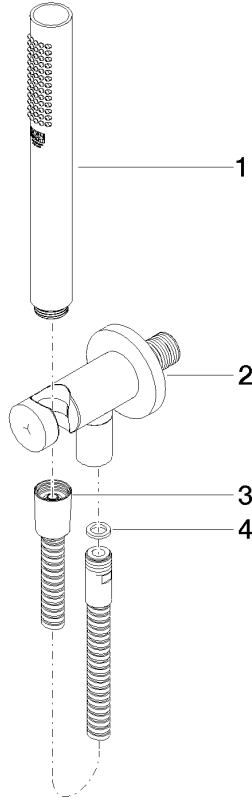
ISO 3822

Ü-Zeichen

Certificates and sustainability

LGA\_29

27 802 660



Spare parts list

Number	Item Number	Designation	Number of units	Lead time
2	28 490 660-00	Wall elbow with integrated wall bracket - Chrome	1.00	10
3	90 30 02 072 00-00	Metal shower hose 1/2" x 3/8" x 49-1/4" - Chrome	1.00	10
4	90 14 20 026 00 90	seal	1.00	2
1	28 029 979-00 0010	SERIES-VARIOUS Hand shower - Chrome	1.00	2