

Hand shower set with integrated wall bracket - Chrome

SERIES SPECIFIC

27 802 970 Product version from 6/1/2024



- COMPACT RAIN, flow rate max. 1.8 gpm (at 3 bar)
- Descaling system
- 3/8" Shower outlet
- Metal shower hose 49-1/4" with anti-twist device

Technical data:

- Flange 2-3/8" x 2-3/8"
- 1/2" connection

Notes:

- This product reduces water consumption by 28% (compared to requirements of EPA Act '92)
 - This product contributes to meeting the requirements of the LEED® Green Building Rating
 - This product can help a building meet the requirements of Green Building Rating Systems, e.g. LEED®, BREEAM®, DGNB
- Internal backflow preventer.**

Internal backflow preventer.

	Chrome	27 802 970-00 0010
	Brushed Platinum	27 802 970-06 0010
	Platinum	27 802 970-08 0010
	Dark Chrome	27 802 970-19 0010
	Brushed Light Gold (PVD)	27 802 970-27 0010
	Brushed Durabrass (23kt Gold)	27 802 970-28 0010
	Matte Black	27 802 970-33 0010
	Brushed Dark Brass (PVD)	27 802 970-39 0010
	Brushed Champagne (22kt Gold)	27 802 970-46 0010
	Champagne (22kt Gold)	27 802 970-47 0010
	Brushed Chrome	27 802 970-93 0010
	Brushed Dark Platinum	27 802 970-99 0010

Required article

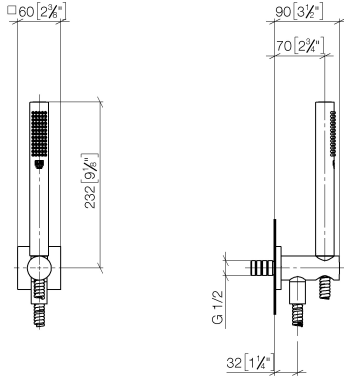
Rough-in adapter -

35 080 970-90
0010



27 802 970 Product version from 6/1/2024

mm [inches]



Codes & Standards

California Energy
Commission
(CEC)

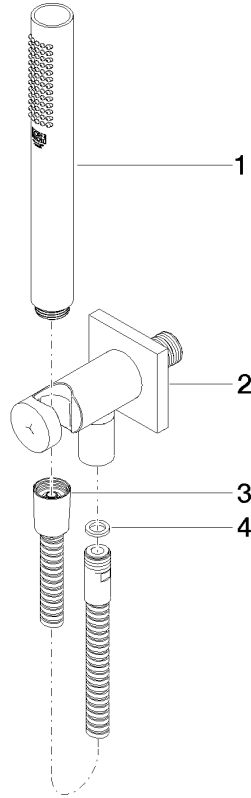
DIN 4109

ISO 3822

Ü-Zeichen

Certificates and sustainability

LGA_29



Spare parts list

Number	Item Number	Designation	Number of units	Lead time
2	28 490 970-00	Wall elbow with integrated wall bracket - Chrome	1.00	10
3	90 30 02 072 00-00	Metal shower hose 1/2" x 3/8" x 49-1/4" - Chrome	1.00	10
4	90 14 20 026 00 90	seal	1.00	2
1	90 12 11 140 41-00	shower	1.00	10