

Hand shower set with individual flanges - Chrome

SERIES SPECIFIC

27 808 980 Product version from 4/1/2024



- COMPACT RAIN, flow rate max. 1.8 gpm (at 3 bar)
- 3/8" Shower outlet
- Metal shower hose 49-1/4" with anti-twist device
- Descaling system

Technical data:

- Flange for wall elbow 2-3/8" x 2-3/8"
- Wall bracket with flange 2-3/8" x 2-3/8"
- 1/2" wall elbow

Notes:

- This product reduces water consumption by 28% (compared to requirements of EPAct '92)
- This product contributes to meeting the requirements of the LEED® Green Building Rating
- This product can help a building meet the requirements of Green Building Rating Systems, e.g. LEED®, BREEAM®, DGNB

Internal backflow preventer.

Internal backflow preventer.

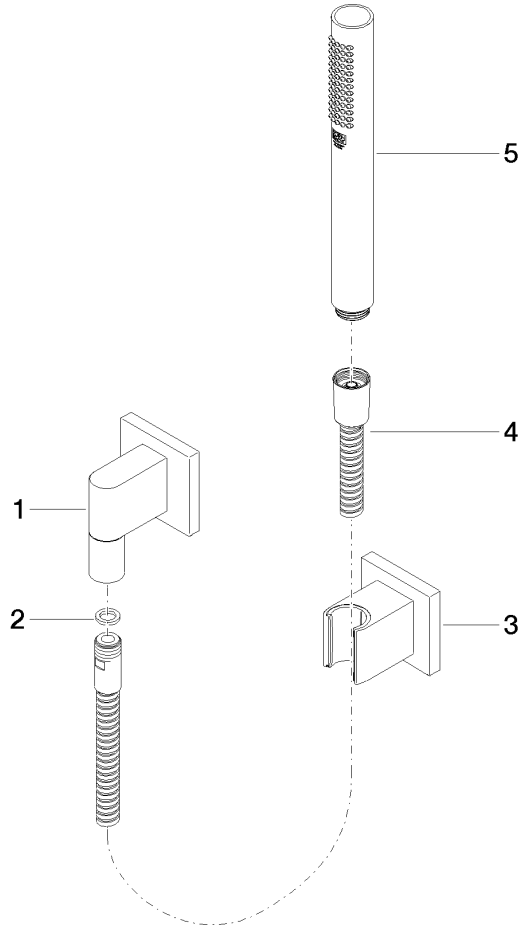
	Chrome	27 808 980-00 0010
	Brushed Platinum	27 808 980-06 0010
	Platinum	27 808 980-08 0010
	Dark Chrome	27 808 980-19 0010
	Brushed Light Gold (PVD)	27 808 980-27 0010
	Brushed Durabrass (23kt Gold)	27 808 980-28 0010
	Matte Black	27 808 980-33 0010
	Brushed Dark Brass (PVD)	27 808 980-39 0010
	Brushed Champagne (22kt Gold)	27 808 980-46 0010
	Champagne (22kt Gold)	27 808 980-47 0010
	Brushed Chrome	27 808 980-93 0010
	Brushed Dark Platinum	27 808 980-99 0010

Required article

Rough-in adapter -

35 080 970-90
0010





Spare parts list

Number	Item Number	Designation	Number of units	Lead time
1	28 450 980-00	Wall elbow - Chrome	1.00	10
3	28 050 980-00	Wall bracket - Chrome	1.00	10
4	90 30 02 072 00-00	Metal shower hose 1/2" x 3/8" x 49-1/4" - Chrome	1.00	10
2	90 14 20 026 00 90	seal	1.00	2
5	90 12 11 140 41-00	shower	1.00	10