

27 809 985



- with volume control
- COMPACT RAIN, flow rate max. 1.8 gpm (at 3 bar)
- Function from: 1.3 gpm
- Internal back flow preventer
- Descaling system
- Metal shower hose 49-1/4" with anti-twist device

Technical data:

- Flange for wall elbow 2-3/8" x 2-3/8"
- Wall bracket with flange 2-3/8" x 2-3/8"
- 1/2" wall elbow
- 3/8" Shower outlet

Notes:

	Chrome	27 809 985-00 0010
	Brushed Platinum	27 809 985-06 0010
	Platinum	27 809 985-08 0010
	Dark Chrome	27 809 985-19 0010
	Brushed Durabronze (23kt Gold)	27 809 985-28 0010
	Brushed Dark Brass (PVD)	27 809 985-39 0010
	Brushed Bronze (PVD)	27 809 985-42 0010
	Brushed Champagne (22kt Gold)	27 809 985-46 0010
	Champagne (22kt Gold)	27 809 985-47 0010
	Brushed Chrome	27 809 985-93 0010
	Brushed Dark Platinum	27 809 985-99 0010

Required article

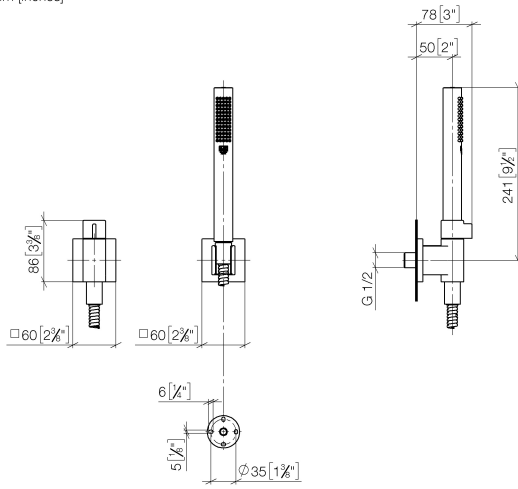
Rough-in adapter -

35 080 970-90
0010



27 809 985

mm [inches]



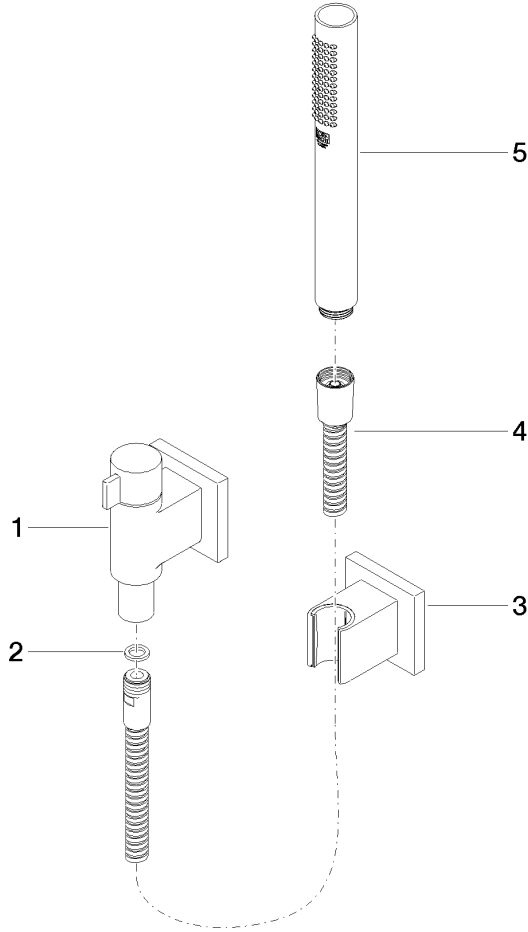
Codes & Standards

ADA	ASME A112.18.1	California Energy Commission (CEC)	cUPC
DIN 4109	ISO 3822	Ü-Zeichen	

Certificates and sustainability

LGA_29	IAPMO_4976
--------	------------

27 809 985



Spare parts list

Number	Item Number	Designation	Number of units	Lead time
4	90 30 02 072 00-00	Metal shower hose 1/2" x 3/8" x 49-1/4" - Chrome	1.00	10
3	28 050 980-00	Wall bracket - Chrome	1.00	10
1	28 451 985-00	connection	1.00	60
2	90 14 20 026 00 90	seal	1.00	2
5	90 12 11 140 41-00	shower	1.00	10