

Hand shower set with cover plate - Chrome

SERIES SPECIFIC

27 818 980 Product version up to 7/19/2018



- COMPACT RAIN, flow rate max. 1.8 gpm (at 3 bar)
- Function from: 1.3 gpm
- Internal back flow preventer
- Descaling system
- Metal shower hose 49-1/4" with anti-twist device

Technical data:

- Cover plate 9-1/2" x 2-3/8"
- 1/2" wall elbow
- 3/8" Shower outlet

Notes:

	Chrome	27 818 980-00 0010
	Brushed Platinum	27 818 980-06 0010
	Platinum	27 818 980-08 0010
	Dark Chrome	27 818 980-19 0010
	Brushed Durabronze (23kt Gold)	27 818 980-28 0010
	Matte Black	27 818 980-33 0010
	Brushed Dark Brass (PVD)	27 818 980-39 0010
	Brushed Champagne (22kt Gold)	27 818 980-46 0010
	Champagne (22kt Gold)	27 818 980-47 0010
	Brushed Chrome	27 818 980-93 0010
	Brushed Dark Platinum	27 818 980-99 0010

Required article

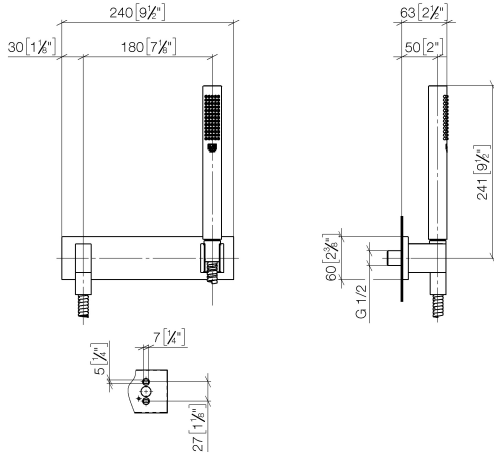
Rough-in adapter -

35 080 970-90
0010



27 818 980 Product version up to 7/19/2018

mm [inches]

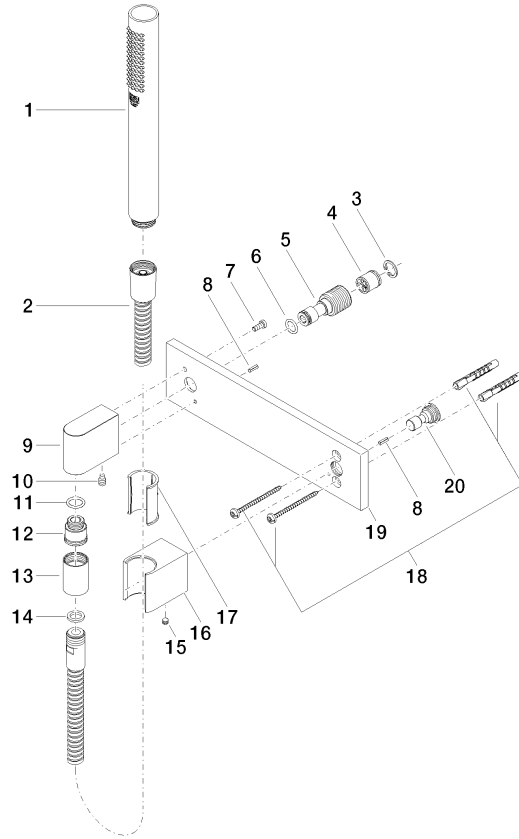


Codes & Standards

ASME A112.18.1	California Energy Commission (CEC)	cUPC	DIN 4109
ISO 3822	Ü-Zeichen		

Certificates and sustainability

LGA_29	IAPMO_4976
--------	------------



Spare parts list

Number	Item Number	Designation	Number of units	Lead time
	12 09 24 03 107 20 90	nipple	1.00	2
	3 09 16 01 014 90	ring	1.00	2
	19 09 11 02 120-00	plate	1.00	10
	9 09 11 03 026 20-00	connection	1.00	60
	4 90 23 01 040 00 90	back-flow preventer	1.00	2
	6 09 14 10 008 90	seal	1.00	2
	17 09 18 40 078 90	sleeve	1.00	2
	18 05 30 31 025 00 90	fixing set	1.00	2
	5 09 24 03 116 20 90	nipple	1.00	2
	16 09 17 20 035-00	holder	1.00	60
	8 09 31 11 026 90	pin	2.00	2
	10 04 31 11 140 00 90	pin	1.00	2
	2 90 30 02 072 00-00	Metal shower hose 1/2" x 3/8" x 49-1/4" - Chrome	1.00	10
	20 09 24 03 073 90	nipple	1.00	2
	7 09 30 30 054 90	screw	1.00	2
	14 90 14 20 026 00 90	seal	1.00	2
	13 90 21 02 069 00-00	cover	1.00	10
	11 90 14 10 077 00 90	seal	1.00	2
	15 90 31 11 112 00 90	pin	1.00	2
	1 90 12 11 140 41-00	shower	1.00	10