

## Rain shower with wall fixing 300 x 240 mm - Chrome

SERIES SPECIFIC

28 765 980 Product version from 3/13/2017



Fits: IMO, MEM, CL.1




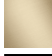




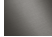
- rain shower 300 x 240mm
- Rain shower material: metal
- PURE RAIN, max. flow rate 20 l/min (at 3 bar)
- Function from: 12 l/min
- quick clearing
- with anti-scale system

**Technical data:**

- 450mm projection
- rosette 60 x 60 mm
- 1/2" connection

**Notes:**

- This product can help a building meet the requirements of Green Building Rating Systems, e.g. LEED®, BREEAM®, DGNB

	Chrome	28 765 980-00
	Brushed Platinum	28 765 980-06
	Platinum	28 765 980-08
	Brushed Light Gold (PVD)	28 765 980-27
	Brushed Durabronze (23kt Gold)	28 765 980-28
	Matte Black	28 765 980-33
	Brushed Dark Brass (PVD)	28 765 980-39
	Brushed Chrome	28 765 980-93
	Brushed Dark Platinum	28 765 980-99

### Recommended miscellaneous



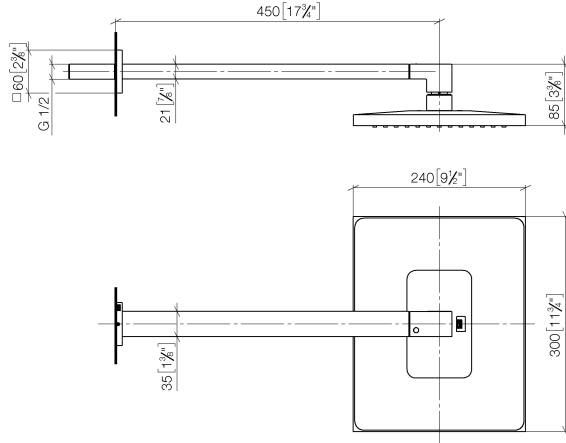
**Concealed wall elbow -**

- max. recess depth 163 mm
- min. recess depth 90 mm

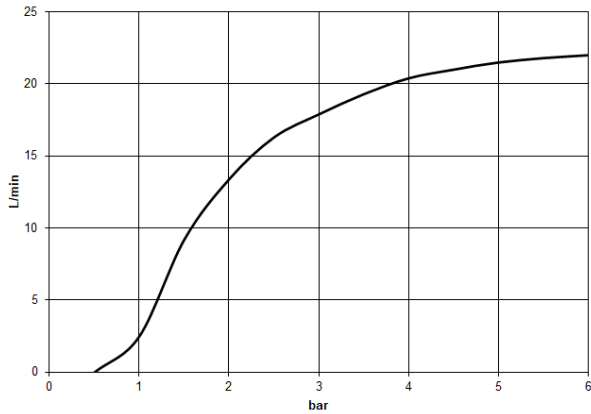
35 085 970 90

28 765 980 Product version from 3/13/2017

mm [inches]



**Flow rate chart**



**Codes & Standards**

DIN 4109

ISO 3822

Scottish Water  
Byelaws

UK Water Supply  
Regulations

**Ü-Zeichen**



## Rain shower with wall fixing 300 x 240 mm - Chrome

SERIES SPECIFIC

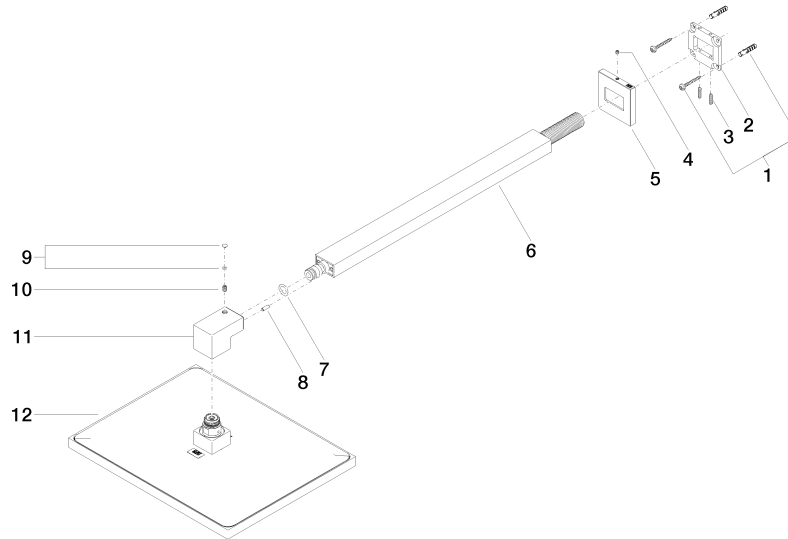
28 765 980 Product version from 3/13/2017

### Certificates and sustainability

LGA\_29

WRAS\_2212

LGA\_38



### Spare parts list

No.	Item Number	Name	Quantity used	Delivery time
	5	09 27 98 016-00	rosette	1.00 10
	3	09 31 11 084 90	pin	2.00 2
	9	90 31 20 087 00-00	plug	1.00 10
	10	09 31 11 036 90	pin	1.00 2
	12	04 12 05 063 00-00	shower	1.00 10
	1	04 30 31 032 00 90	fixing set	1.00 2
	8	09 31 11 040 90	pin	1.00 2
	6	04 28 22 247 20-00	pipe	1.00 10
	11	09 17 01 180-00	connection	1.00 10
	2	09 30 11 160 90	disc	1.00 2
	4	09 31 11 099 90	pin	1.00 2
	7	90 14 10 011 00 90	seal	1.00 2