


32 805 680 Product version from 5/31/2010 to 3/10/2021



- 165mm projection
- pivotable spout 360°
- air-enriched flow
- height of mixer 230 mm
- height up to laminar flow regulator 205 mm
- individual rosette 55 x 55 mm
- hole diameter spout 35 mm
- single-lever mixer hole diameter 44 mm
- max. flow 8 l/min at 3 bar flow pressure
- lead-free
- WRAS
- This product can help a building meet the requirements of Green Building Rating Systems, e.g. LEED®, BREEAM®, DGNB

Operating unit can be positioned freely.

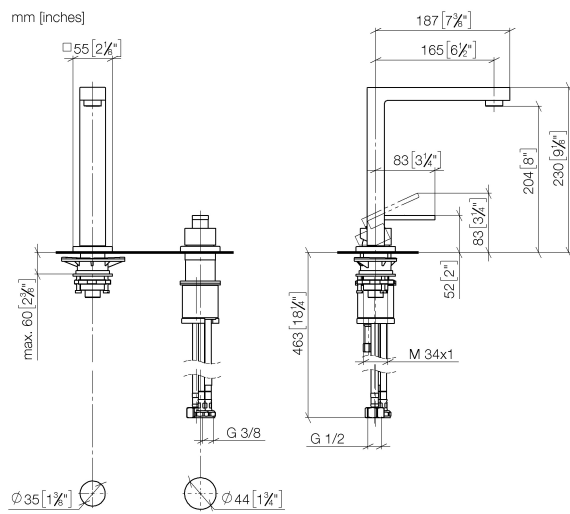
	Brushed Dark Platinum	32 805 680-99
	Chrome	32 805 680-00
	Brushed Platinum	32 805 680-06
	Platinum	32 805 680-08
	Dark Chrome	32 805 680-19
	Brushed Durabronze (23kt Gold)	32 805 680-28
	Brushed Bronze (PVD)	32 805 680-42
	Brushed Champagne (22kt Gold)	32 805 680-46
	Champagne (22kt Gold)	32 805 680-47

**Recommended miscellaneous**

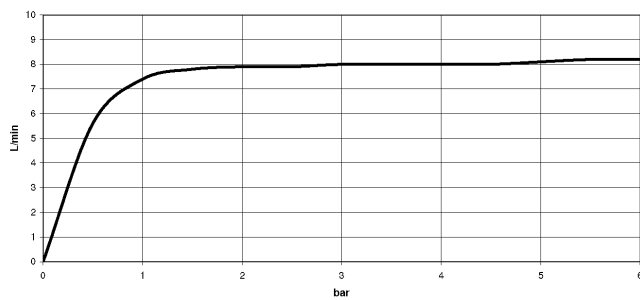
**Dispenser with rosette - Brushed Dark Platinum** 82 439 970-99



32 805 680 Product version from 5/31/2010 to 3/10/2021



Flow rate chart



Codes & Standards

DIN 4109

Executive Order  
no. 1007

ISO 3822

Scottish Water  
Byelaws

UK Water Supply  
Regulations

Ü-Zeichen



LOT BAR TAP Two-hole mixer with individual rosettes - Brushed Dark Platinum

LOT

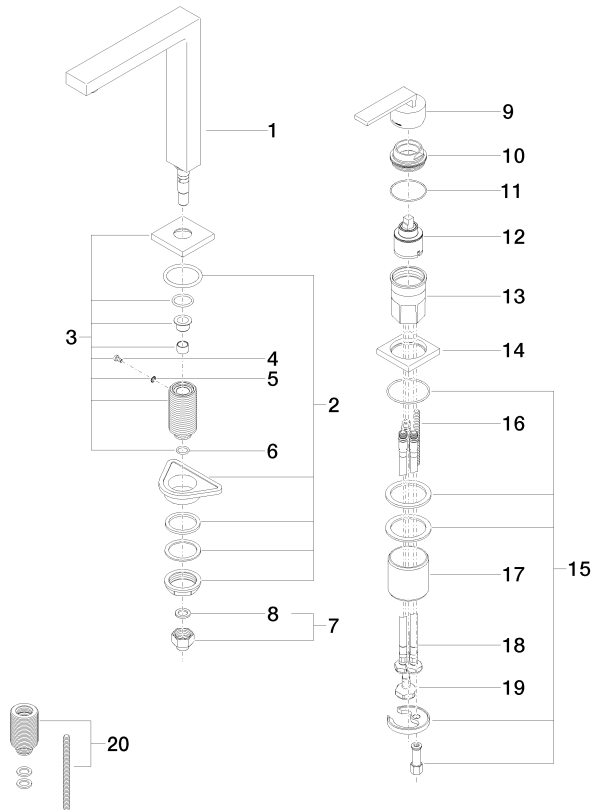
32 805 680 Product version from 5/31/2010 to 3/10/2021

Certificates and sustainability

GDV_0400	LGA_18	EPD-DOR-20230287 WRAS_250402 -IBA1-EN Environmental.prod uct-declarat
----------	--------	--

32 805 680 Product version from 5/31/2010 to 3/10/2021

Parts for other finishes can be found here: [Chrome](#)





## LOT BAR TAP Two-hole mixer with individual rosettes - Brushed Dark Platinum

LOT

32 805 680 Product version from 5/31/2010 to 3/10/2021

### Spare parts list

No.	Item Number	Name	Quantity used	Delivery time
3	90 27 78 023 00-99	rosette	1.00	20
1	90 11 06 192 04-99	spout	1.00	20
16	09 31 11 011 90	pin	1.00	2
7	04 24 04 166 10 90	nipple	1.00	2
18	04 30 04 104 00 90	hose	2.00	2
14	09 27 78 007-99	rosette	1.00	20
10	09 24 04 142-99	nut	1.00	20
20	12 802 970 90	Extension set -	1.00	-
Spare part can no longer be ordered, please order the replacement item				
4	09 30 30 057 90	screw	1.00	2
11	09 14 10 037 90	seal	1.00	2
9	90 20 78 040 00-99	handle	1.00	20
2	04 23 10 044 01 90	fixing set	1.00	2
5	09 30 11 028 90	disc	1.00	2
19	04 30 04 019 00 90	hose	1.00	2
13	09 30 01 100 10 90	sleeve	1.00	2
15	04 30 11 038 02 90	fixing set	1.00	2
17	09 18 40 079 90	sleeve	1.00	2
8	90 14 20 002 00 90	seal	1.00	2
6	90 14 10 077 00 90	seal	1.00	2
12	90 15 05 045 00 90	cartridge	1.00	2