

**LOT Two-hole mixer with individual rosettes - Chrome**

LOT

32 815 680 Product version from 4/1/2024



- 235mm projection
- pivoting spout 360°
- air-enriched flow
- height of mixer 345 mm
- height up to aerator 319 mm
- individual rosette 55 x 55 mm
- hole diameter spout 35 mm
- single-lever mixer hole diameter 44 mm
- max. flow 8 l/min at 3 bar flow pressure
- lead-free
- This product can help a building meet the requirements of Green Building Rating Systems, e.g. LEED®, BREEAM®, DGNB

Operating unit can be positioned freely.

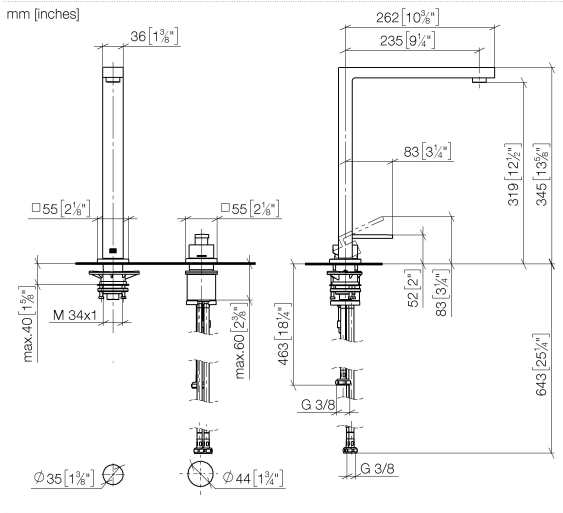
	Chrome	32 815 680-00
	Brushed Platinum	32 815 680-06
	Platinum	32 815 680-08
	Dark Chrome	32 815 680-19
	Brushed Durabronze (23kt Gold)	32 815 680-28
	Brushed Bronze (PVD)	32 815 680-42
	Brushed Champagne (22kt Gold)	32 815 680-46
	Champagne (22kt Gold)	32 815 680-47
	Brushed Dark Platinum	32 815 680-99

**Recommended miscellaneous**

**Dispenser with rosette - Chrome** 82 439 970-00



32 815 680 Product version from 4/1/2024



**Flow rate chart**



**Codes & Standards**

DIN 4109

EN 817

ISO 3822

Scottish Water  
Byelaws

UK Water Supply  
Regulations

Ü-Zeichen

VA-Zeichen



## LOT Two-hole mixer with individual rosettes - Chrome

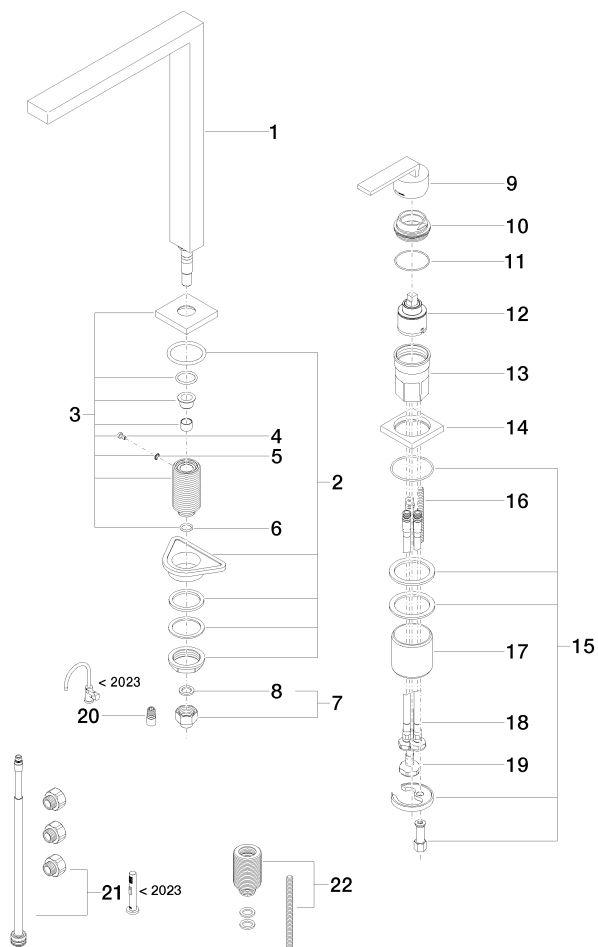
LOT

32 815 680 Product version from 4/1/2024

### Certificates and sustainability

ETA_18	LGA_38	EPD-DOR-20230287 WRAS_250402 -IBA1-EN Environmental.prod uct-declarat
--------	--------	--

32 815 680 Product version from 4/1/2024





## LOT Two-hole mixer with individual rosettes - Chrome

LOT

32 815 680 Product version from 4/1/2024

### Spare parts list

No.	Item Number	Name	Quantity used	Delivery time
4	09 30 30 057 90	screw	1.00	2
14	09 27 78 007-00	rosette	1.00	10
3	90 27 78 023 00-00	rosette	1.00	10
22	12 802 970 90	Extension set -	1.00	-
Spare part can no longer be ordered, please order the replacement item				
17	09 18 40 079 90	sleeve	1.00	2
7	04 24 04 166 10 90	nipple	1.00	2
13	09 30 01 100 10 90	sleeve	1.00	2
6	90 14 10 077 00 90	seal	1.00	2
16	09 31 11 011 90	pin	1.00	2
12	90 15 05 045 00 90	cartridge	1.00	2
2	04 23 10 044 01 90	fixing set	1.00	2
9	90 20 78 040 00-00	handle	1.00	10
21	90 17 09 046 13 90	conversion kit	1.00	2
18	04 30 04 104 00 90	hose	2.00	2
20	90 24 03 537 01 90	adaptor	1.00	2
15	04 30 11 038 02 90	fixing set	1.00	2
11	09 14 10 108 90	seal	1.00	2
10	09 24 04 142-00	nut	1.00	10
19	04 30 04 019 00 90	hose	1.00	2
8	90 14 20 002 00 90	seal	1.00	2
5	09 30 11 028 90	disc	1.00	2
1	90 11 06 188 06-00	spout	1.00	10