

**MEM Two-hole mixer with individual rosettes - Chrome**

MEM

32 815 682 Product version from 3/1/2023



- 241mm projection
- pivotable spout 360°
- Optional swivel limiter available with swivel limiter set 12 820 970 90
- air-enriched flow
- max. flow 6.3 l/min at 3 bar flow pressure
- lead-free
- This product can help a building meet the requirements of Green Building Rating Systems, e.g. LEED®, BREEAM®, DGNB
- WRAS

Operating unit can be positioned freely.

	Chrome	32 815 682-00
	Brushed Platinum	32 815 682-06
	Platinum	32 815 682-08
	Dark Chrome	32 815 682-19
	Brushed Durabronze (23kt Gold)	32 815 682-28
	Matte Black	32 815 682-33
	Brushed Bronze (PVD)	32 815 682-42
	Brushed Champagne (22kt Gold)	32 815 682-46
	Champagne (22kt Gold)	32 815 682-47
	Brushed Chrome	32 815 682-93
	Brushed Dark Platinum	32 815 682-99

**Recommended miscellaneous**

**Dispenser with rosette - Chrome** 82 444 970-00

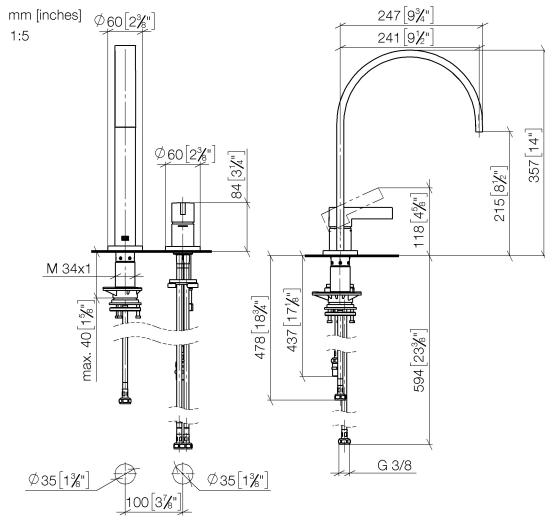


**Recommended miscellaneous**

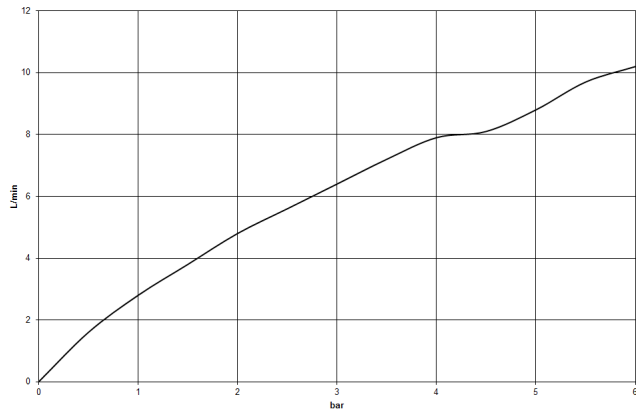
**Strainer waste with control handle - Chrome** 10 710 970-00



32 815 682 Product version from 3/1/2023



**Flow rate chart**



**Codes & Standards**

DIN 4109

ISO 3822

Scottish Water  
Byelaws

UK Water Supply  
Regulations

**Ü-Zeichen**



## MEM Two-hole mixer with individual rosettes - Chrome

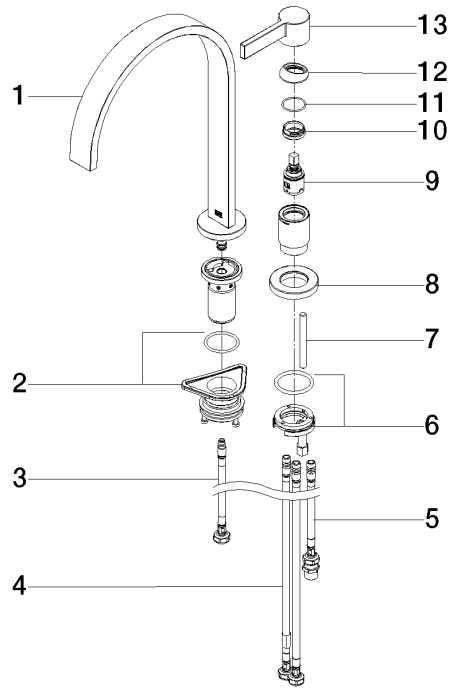
MEM

32 815 682 Product version from 3/1/2023

### Certificates and sustainability

LGA_38	WRAS_240102	EPD-DOR-20230287 -IBA1-EN Environmental.prod uct-declarat
--------	-------------	--

32 815 682 Product version from 3/1/2023



**Spare parts list**

No.	Item Number	Name	Quantity used	Delivery time
1	90 28 22 390 00-00	spout	1.00	10
5	04 30 04 104 00 90	hose	1.00	2
6	04 30 11 085 97 90	fixing set	1.00	2
4	04 30 04 105 00 90	hose	2.00	2
2	90 30 10 057 00 90	fixing set	1.00	2
7	09 31 11 011 90	pin	1.00	2
3	04 30 04 100 00 90	hose	1.00	2
8	09 27 97 040-00	rosette	1.00	10
10	09 24 04 266 90	nut	1.00	2
13	90 20 87 003 00-00	handle	1.00	10
9	90 15 05 042 00 90	cartridge	1.00	2
12	09 28 30 026-00	cover	1.00	10
11	09 14 10 091 90	seal	1.00	2