

32 815 861 Product version from 1/1/2025



- 235mm projection
- pivotable spout 360°
- Optional swivel limiter available with swivel limiter set 12 820 970 90
- air-enriched flow
- max. flow 8 l/min at 3 bar flow pressure
- This product can help a building meet the requirements of Green Building Rating Systems, e.g. LEED®, BREEAM®, DGNB
- lead-free
- WRAS

Operating unit can be positioned freely.

	Chrome	32 815 861-00
	Brushed Platinum	32 815 861-06
	Platinum	32 815 861-08
	Dark Chrome	32 815 861-19
	Brushed Durabronze (23kt Gold)	32 815 861-28
	Matte Black	32 815 861-33
	Brushed Dark Brass (PVD)	32 815 861-39
	Brushed Bronze (PVD)	32 815 861-42
	Brushed Champagne (22kt Gold)	32 815 861-46
	Champagne (22kt Gold)	32 815 861-47
	Brushed Chrome	32 815 861-93
	Brushed Dark Platinum	32 815 861-99

**Recommended miscellaneous**

**Swivel limitation set -** 12 820 970 90



**Recommended miscellaneous**

**Strainer waste with control handle - Chrome** 10 710 970-00



**Recommended miscellaneous**

**Dispenser with rosette - Chrome** 82 444 970-00







## META SQUARE Two-hole mixer with individual rosettes - Chrome

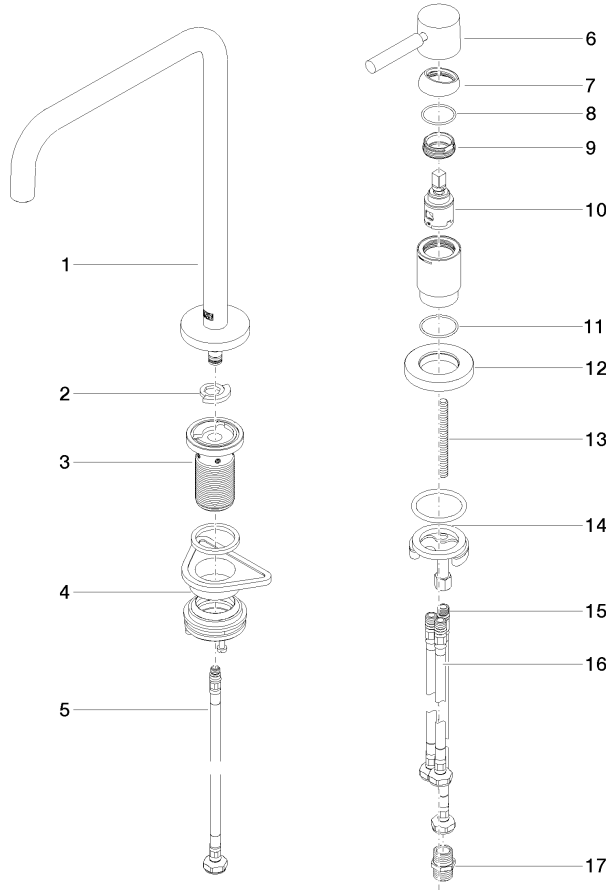
META SQUARE

32 815 861 Product version from 1/1/2025

### Certificates and sustainability

LGA_38	WRAS_240102	EPD-DOR-20230287 -IBA1-EN Environmental.prod uct-declarat
--------	-------------	--

32 815 861 Product version from 1/1/2025



**Spare parts list**

No.	Item Number	Name	Quantity used	Delivery time
	4 04 23 10 044 08 90	fixing set	1.00	2
	1 90 28 22 287 00-00	spout	1.00	10
	16 04 30 04 105 00 90	hose	2.00	2
	9 09 24 04 266 90	nut	1.00	2
	6 90 20 66 003 00-00	handle	1.00	10
	17 90 24 03 250 00 90	nipple	1.00	2
	12 09 27 97 040-00	rosette	1.00	10
	2 12 820 970 90	Swivel limitation set -	1.00	2
	5 04 30 04 100 00 90	hose	1.00	2
	10 90 15 05 042 00 90	cartridge	1.00	2
	7 09 28 30 026-00	cover	1.00	10
	13 09 31 11 011 90	pin	1.00	2
	15 04 30 04 104 00 90	hose	1.00	2
	3 90 30 01 299 00 90	shaft	1.00	2
	8 09 14 10 091 90	seal	1.00	2
	11 09 14 10 110 90	seal	1.00	2
	14 04 30 11 085 97 90	fixing set	1.00	2