

32 815 875 Product version from 1/1/2025



- 241mm projection
- pivotable spout 360°
- Optional swivel limiter available with swivel limiter set 12 820 970 90
- air-enriched flow
- max. flow 8 l/min at 3 bar flow pressure
- lead-free
- This product can help a building meet the requirements of Green Building Rating Systems, e.g. LEED®, BREEAM®, DGNB
- WRAS

Operating unit can be positioned freely.

	Chrome	32 815 875-00
	Brushed Platinum	32 815 875-06
	Platinum	32 815 875-08
	Dark Chrome	32 815 875-19
	Brushed Durabronze (23kt Gold)	32 815 875-28
	Matte Black	32 815 875-33
	Brushed Dark Brass (PVD)	32 815 875-39
	Brushed Bronze (PVD)	32 815 875-42
	Brushed Champagne (22kt Gold)	32 815 875-46
	Champagne (22kt Gold)	32 815 875-47
	Brushed Chrome	32 815 875-93
	Brushed Dark Platinum	32 815 875-99

**Recommended miscellaneous**

**Swivel limitation set -** 12 820 970 90



**Recommended miscellaneous**

**Strainer waste with control handle - Chrome** 10 710 970-00



**Recommended miscellaneous**

**Dispenser with rosette - Chrome** 82 444 970-00



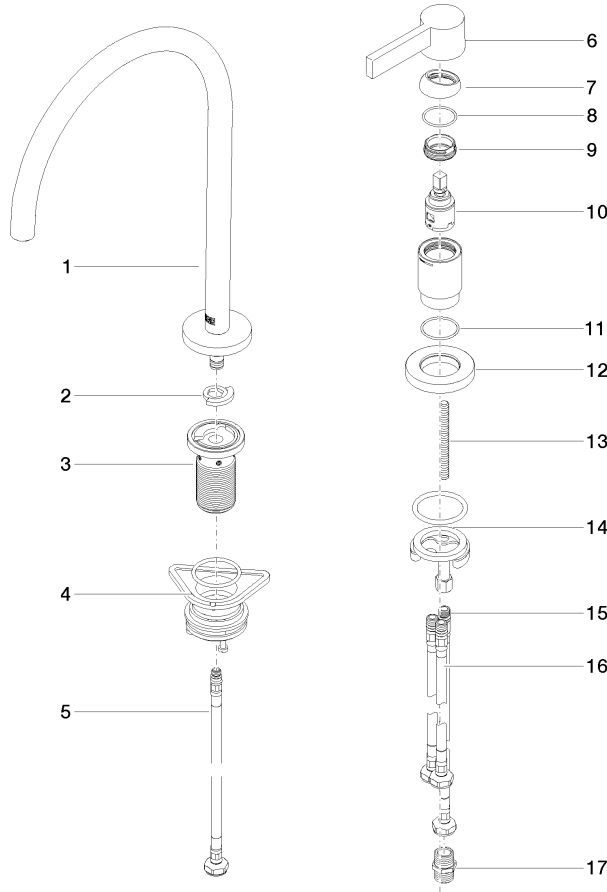




32 815 875 Product version from 1/1/2025

Certificates and sustainability

LGA_38	WRAS_240102	EPD-DOR-20230287 -IBA1-EN Environmental.prod uct-declarat
--------	-------------	--



### Spare parts list

No.	Item Number	Name	Quantity used	Delivery time
4	04 23 10 044 08 90	fixing set	1.00	2
11	09 14 10 110 90	seal	1.00	2
13	09 31 11 011 90	pin	1.00	2
14	04 30 11 085 97 90	fixing set	1.00	2
6	90 20 87 003 00-00	handle	1.00	10
2	12 820 970 90	Swivel limitation set -	1.00	2
1	90 28 22 377 00-00	spout	1.00	10
8	09 14 10 091 90	seal	1.00	2
10	90 15 05 042 00 90	cartridge	1.00	2
3	90 30 01 299 00 90	shaft	1.00	2
5	04 30 04 100 00 90	hose	1.00	2
16	04 30 04 105 00 90	hose	2.00	2
15	04 30 04 104 00 90	hose	1.00	2
12	09 27 97 040-00	rosette	1.00	10
9	09 24 04 266 90	nut	1.00	2
17	90 24 03 250 00 90	nipple	1.00	2
7	09 28 30 026-00	cover	1.00	10