

33 800 875 Product version from 5/31/2010 to 7/25/2018



- 201mm projection
- pivotable spout 360°
- air-enriched flow
- height of mixer 373 mm
- height up to aerator 240 mm
- hole diameter 35 mm
- max. flow 8 l/min at 3 bar flow pressure
- lead-free
- This product can help a building meet the requirements of Green Building Rating Systems, e.g. LEED®, BREEAM®, DGNB
- WRAS

	Chrome	33 800 875-00
	Brushed Platinum	33 800 875-06
	Platinum	33 800 875-08
	Dark Chrome	33 800 875-19
	Brushed Durabronze (23kt Gold)	33 800 875-28
	Matte Black	33 800 875-33
	Brushed Dark Brass (PVD)	33 800 875-39
	Brushed Bronze (PVD)	33 800 875-42
	Brushed Champagne (22kt Gold)	33 800 875-46
	Champagne (22kt Gold)	33 800 875-47
	Brushed Chrome	33 800 875-93
	Brushed Dark Platinum	33 800 875-99

Recommended miscellaneous

Strainer waste with control handle - Chrome 10 712 970-00

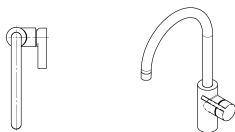
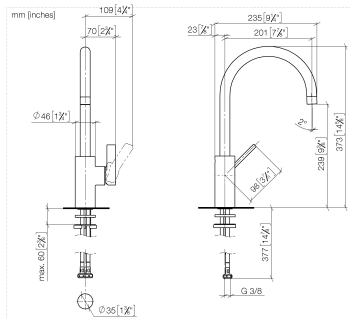


Recommended miscellaneous

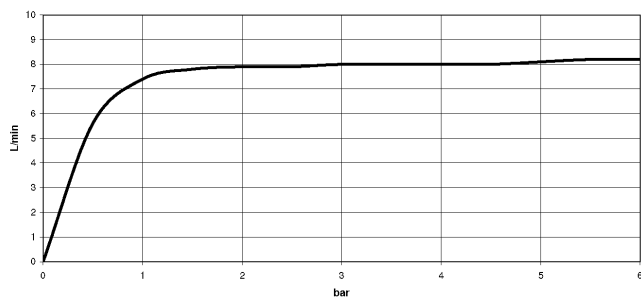
Dispenser without rosette - Chrome 82 424 970-00



33 800 875 Product version from 5/31/2010 to 7/25/2018



Flow rate chart



Codes & Standards

DIN 4109	EN 817	Executive Order no. 1007	ISO 3822
Scottish Water Byelaws	UK Water Supply Regulations	Ü-Zeichen	VA-Zeichen



TARA ULTRA Single-lever mixer - Chrome

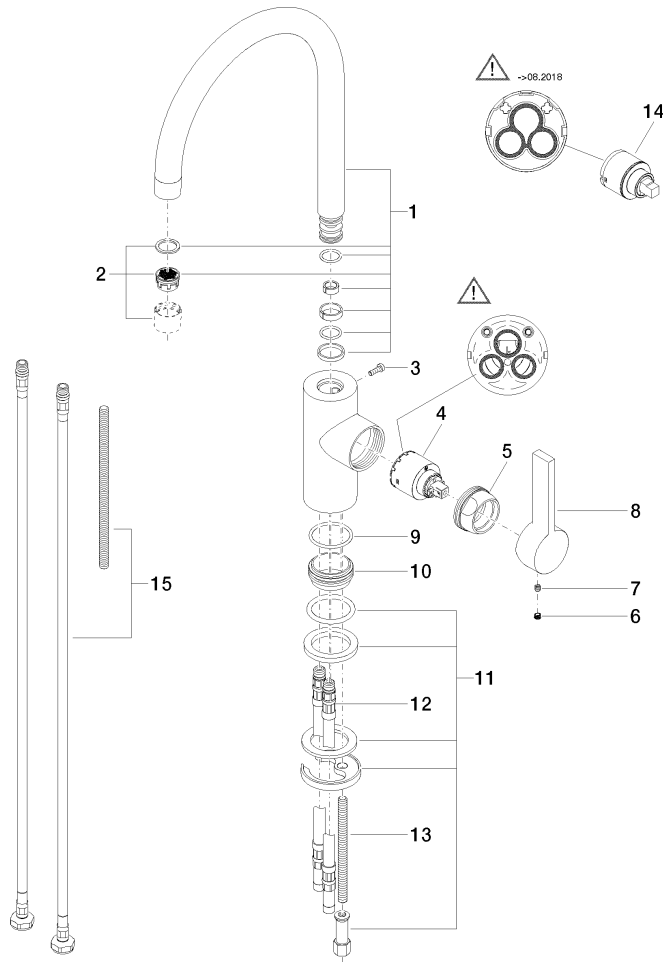
TARA ULTRA

33 800 875 Product version from 5/31/2010 to 7/25/2018

Certificates and sustainability

GDV_0400	LGA_18	WRAS_2101	ETA_18	EPD-DOR-20230287 -IBA1-EN Environmental.prod uct-declarat
----------	--------	-----------	--------	--

33 800 875 Product version from 5/31/2010 to 7/25/2018



Spare parts list

No.	Item Number	Name	Quantity used	Delivery time
9	09 14 10 119 90	seal	1.00	2
11	04 30 11 085 88 90	fixing set	1.00	2
5	09 24 04 107-00	nut	1.00	10
3	09 30 30 080 90	screw	1.00	2
2	90 23 01 004 07-00	aerator	1.00	10
13	09 31 11 012 90	pin	1.00	2
4	90 15 05 061 00 90	cartridge	1.00	60
12	04 30 04 016 00 90	hose	2.00	60
15	12 803 970 90	extension	1.00	60
1	90 28 22 204 02-00	spout	1.00	10
8	09 20 79 040-00	handle	1.00	10
10	09 28 10 109-07	ring	1.00	30
6	90 31 20 109 00 90	plug	1.00	2
7	90 31 11 030 00 90	pin	1.00	2
14	90 15 05 045 00 90	cartridge	1.00	2