

MEM BAR TAP Single-lever mixer - Chrome

MEM

33 805 682 Product version from 3/1/2023



- 166mm projection
- pivotable spout 360°
- Optional swivel limiter available with swivel limiter set 12 820 970 90
- air-enriched flow
- max. flow 6.3 l/min at 3 bar flow pressure
- lead-free
- This product can help a building meet the requirements of Green Building Rating Systems, e.g. LEED®, BREEAM®, DGNB
- WRAS

	Chrome	33 805 682-00
	Brushed Platinum	33 805 682-06
	Platinum	33 805 682-08
	Dark Chrome	33 805 682-19
	Brushed Durabronze (23kt Gold)	33 805 682-28
	Matte Black	33 805 682-33
	Brushed Bronze (PVD)	33 805 682-42
	Brushed Champagne (22kt Gold)	33 805 682-46
	Champagne (22kt Gold)	33 805 682-47
	Brushed Chrome	33 805 682-93
	Brushed Dark Platinum	33 805 682-99

Recommended miscellaneous

Strainer waste with control handle - Chrome 10 712 970-00



Recommended miscellaneous

Strainer waste with control handle - Chrome 10 712 970-00



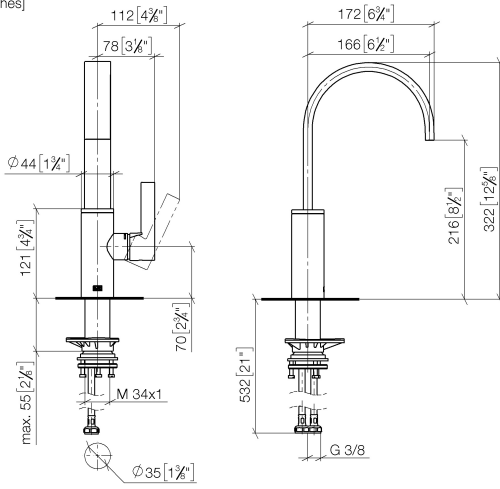
Recommended miscellaneous

Dispenser without rosette - Chrome 82 424 970-00

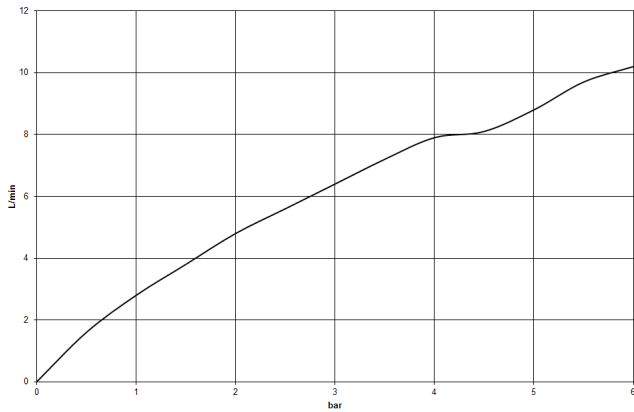


33 805 682 Product version from 3/1/2023

mm [inches]



Flow rate chart



Codes & Standards

DIN 4109

ISO 3822

Scottish Water
Byelaws

UK Water Supply
Regulations

Ü-Zeichen



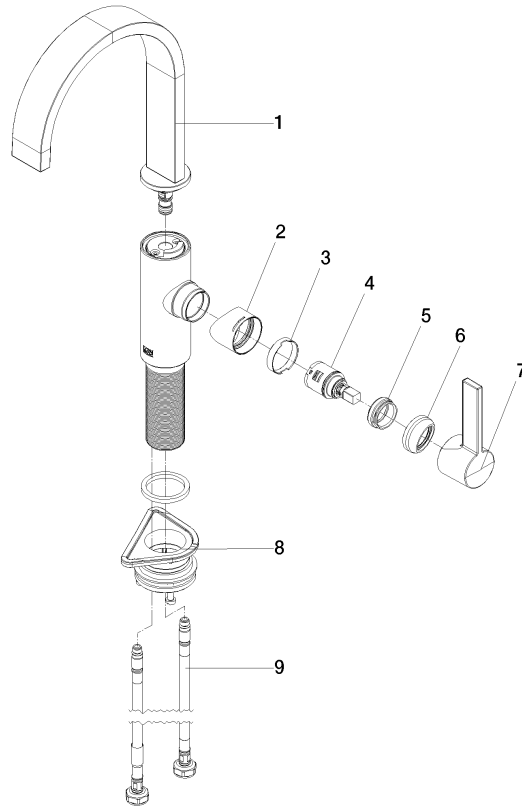
MEM BAR TAP Single-lever mixer - Chrome

MEM

33 805 682 Product version from 3/1/2023

Certificates and sustainability

LGA_38	WRAS_240202	EPD-DOR-20230287 -IBA1-EN Environmental.prod uct-declarat
--------	-------------	--



Spare parts list

No.	Item Number	Name	Quantity used	Delivery time
1	90 28 22 282 00-00	spout	1.00	10
8	04 23 10 044 08 90	fixing set	1.00	2
2	09 19 86 012-00	cover	1.00	60
9	04 30 04 101 00 90	hose	2.00	2
7	90 20 86 004 00-00	handle	1.00	10
6	90 28 30 052 00-00	cover	1.00	10
5	09 24 04 266 90	nut	1.00	2
4	90 15 05 042 00 90	cartridge	1.00	2
3	90 23 10 128 00 90	nut	1.00	2