

33 805 861 Product version from 1/1/2025



- 166mm projection
- pivotable spout 360°
- Optional swivel limiter available with swivel limiter set 12 820 970 90
- air-enriched flow
- max. flow 8 l/min at 3 bar flow pressure
- lead-free
- This product can help a building meet the requirements of Green Building Rating Systems, e.g. LEED®, BREEAM®, DGNB
- WRAS

	Chrome	33 805 861-00
	Brushed Platinum	33 805 861-06
	Platinum	33 805 861-08
	Dark Chrome	33 805 861-19
	Brushed Durabronze (23kt Gold)	33 805 861-28
	Matte Black	33 805 861-33
	Brushed Dark Brass (PVD)	33 805 861-39
	Brushed Bronze (PVD)	33 805 861-42
	Brushed Champagne (22kt Gold)	33 805 861-46
	Champagne (22kt Gold)	33 805 861-47
	Brushed Chrome	33 805 861-93
	Brushed Dark Platinum	33 805 861-99

Recommended miscellaneous



Swivel limitation set - 12 820 970 90

Recommended miscellaneous



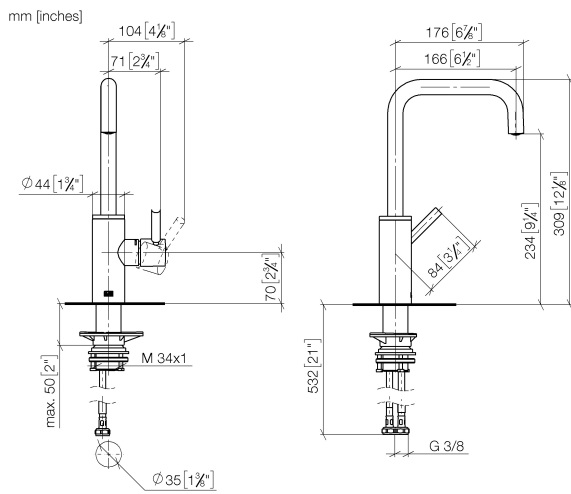
Strainer waste with control handle - Chrome 10 712 970-00

Recommended miscellaneous

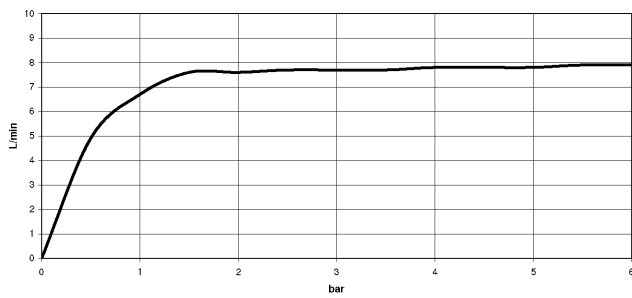


Dispenser without rosette - Chrome 82 424 970-00

33 805 861 Product version from 1/1/2025



Flow rate chart



Codes & Standards

DIN 4109

ISO 3822

Scottish Water
Byelaws

UK Water Supply
Regulations

Ü-Zeichen



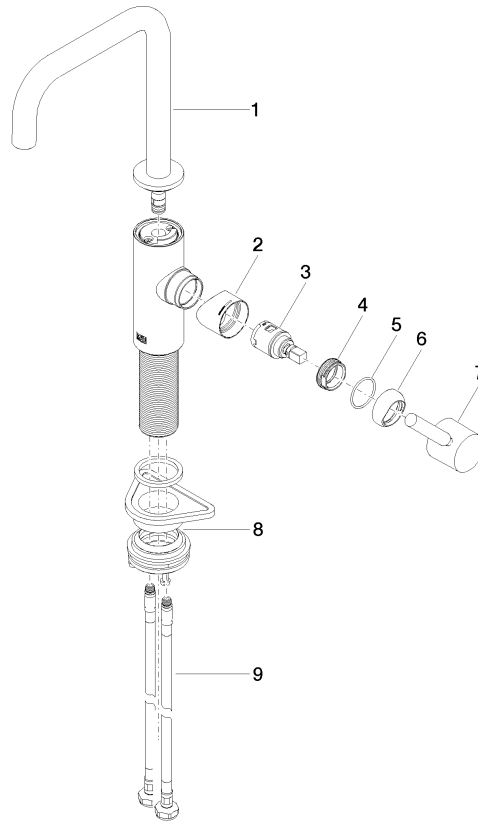
META SQUARE BAR TAP Single-lever mixer - Chrome

META SQUARE

33 805 861 Product version from 1/1/2025

Certificates and sustainability

LGA_38	WRAS_240102	EPD-DOR-20230287 -IBA1-EN Environmental.prod uct-declarat
--------	-------------	--



Spare parts list

No.	Item Number	Name	Quantity used	Delivery time
5	09 14 10 091 90	seal	1.00	2
2	09 19 86 012-00	cover	1.00	60
3	90 15 05 042 00 90	cartridge	1.00	2
4	09 24 04 266 90	nut	1.00	2
6	90 28 30 052 00-00	cover	1.00	10
7	90 20 66 003 00-00	handle	1.00	10
9	04 30 04 101 00 90	hose	2.00	2
1	90 28 22 285 00-00	spout	1.00	10
8	04 23 10 044 08 90	fixing set	1.00	2