

33 805 875 Product version up to 5/15/2020



- 166mm projection
- gauge mm
- pivotable spout 360°
- laminar flow
- height of mixer 303 mm
- height up to laminar flow regulator 186 mm
- hole diameter 35 mm
- max. flow 8 l/min at 3 bar flow pressure
- lead-free
- This product can help a building meet the requirements of Green Building Rating Systems, e.g. LEED®, BREEAM®, DGNB

	Chrome	33 805 875-00
	Brushed Platinum	33 805 875-06
	Platinum	33 805 875-08
	Dark Chrome	33 805 875-19
	Brushed Durabronze (23kt Gold)	33 805 875-28
	Matte Black	33 805 875-33
	Brushed Dark Brass (PVD)	33 805 875-39
	Brushed Bronze (PVD)	33 805 875-42
	Brushed Champagne (22kt Gold)	33 805 875-46
	Champagne (22kt Gold)	33 805 875-47
	Brushed Chrome	33 805 875-93
	Brushed Dark Platinum	33 805 875-99

Recommended miscellaneous

Strainer waste with control handle - Chrome 10 712 970-00

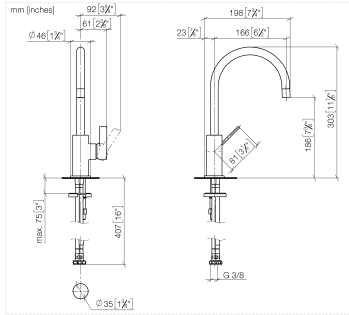


Recommended miscellaneous

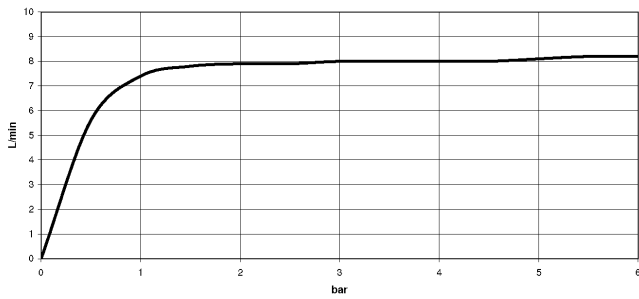
Dispenser without rosette - Chrome 82 424 970-00



33 805 875 Product version up to 5/15/2020



Flow rate chart



Codes & Standards

DIN 4109

ISO 3822

Ü-Zeichen



TARA ULTRA BAR TAP Single-lever mixer - Chrome

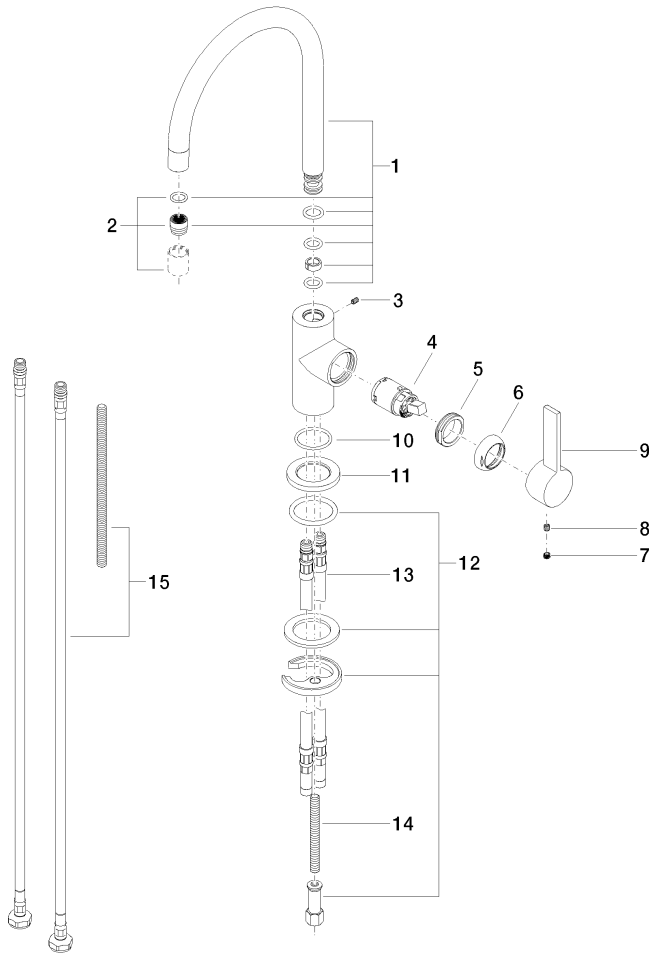
TARA ULTRA

33 805 875 Product version up to 5/15/2020

Certificates and sustainability

LGA_18	EPD-DOR-20230287 -IBA1-EN Environmental.prod uct-declarat
--------	--

33 805 875 Product version up to 5/15/2020



Spare parts list

No.	Item Number	Name	Quantity used	Delivery time
	3 09 31 11 008 90	pin	1.00	2
	12 04 30 11 038 64 90	fixing set	1.00	2
	14 09 31 11 011 90	pin	1.00	2
	10 09 14 10 118 90	seal	1.00	2
	5 09 24 04 130-07	nut	1.00	30
	13 04 30 04 016 00 90	hose	2.00	60
	1 90 28 22 206 00-00	spout	1.00	10
	6 09 24 04 204-00	cover	1.00	10
	15 12 803 970 90	extension	1.00	60
	9 09 20 88 051-00	handle	1.00	10
	2 90 23 01 067 00-00	aerator	1.00	10
	11 09 27 85 001-00	rosette	1.00	10
	4 90 15 05 041 00 90	cartridge	1.00	2
	8 90 31 11 030 00 90	pin	1.00	2
	7 90 31 20 109 00 90	plug	1.00	2