

33 805 888 Product version from 1/1/2025



- 166mm projection
- pivotable spout 360°
- laminar flow
- height of mixer 302 mm
- height up to laminar flow regulator 185 mm
- hole diameter 35 mm
- max. flow 8.3 l/min at 3 bar flow pressure
- lead-free
- This product can help a building meet the requirements of Green Building Rating Systems, e.g. LEED®, BREEAM®, DGNB
- WRAS

	Chrome	33 805 888-00
	Brushed Platinum	33 805 888-06
	Platinum	33 805 888-08
	Durabrand (23kt Gold)	33 805 888-09
	Dark Chrome	33 805 888-19
	Brushed Durabrand (23kt Gold)	33 805 888-28
	Matte Black	33 805 888-33
	Brushed Dark Brass (PVD)	33 805 888-39
	Brushed Bronze (PVD)	33 805 888-42
	Brushed Champagne (22kt Gold)	33 805 888-46
	Champagne (22kt Gold)	33 805 888-47
	Brushed Chrome	33 805 888-93
	Brushed Dark Platinum	33 805 888-99

Recommended miscellaneous

Strainer waste with control handle - Chrome 10 710 970-00

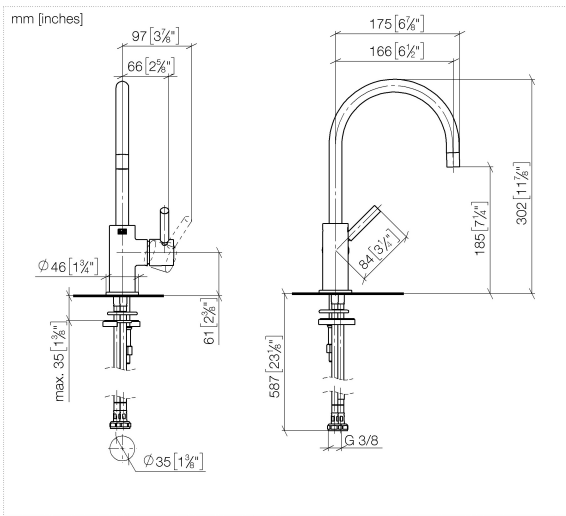


Recommended miscellaneous

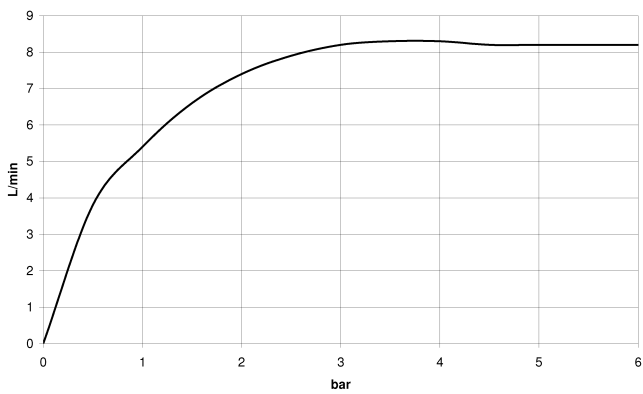
Dispenser with rosette - Chrome 82 444 970-00



33 805 888 Product version from 1/1/2025



Flow rate chart



Codes & Standards

DIN 4109

ISO 3822

Scottish Water
Byelaws

UK Water Supply
Regulations

Ü-Zeichen



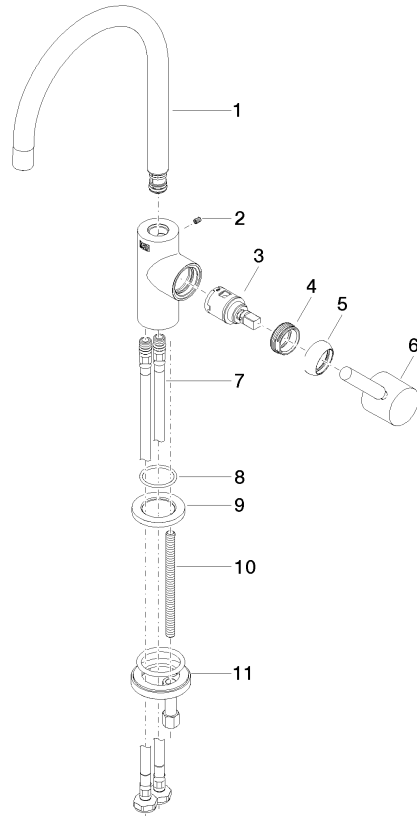
TARA BAR TAP Single-lever mixer - Chrome

TARA

33 805 888 Product version from 1/1/2025

Certificates and sustainability

LGA_38	WRAS_240102	EPD-DOR-20230287 -IBA1-EN Environmental.prod uct-declarat
--------	-------------	--



Spare parts list

No.	Item Number	Name	Quantity used	Delivery time
	10 09 31 11 012 90	pin	1.00	2
	9 09 27 85 001-00	rosette	1.00	10
	5 09 28 30 021-00	cover	1.00	10
	11 04 30 11 038 64 90	fixing set	1.00	2
	1 90 28 22 393 00-00	spout	1.00	10
	4 09 24 04 266 90	nut	1.00	2
	7 04 30 04 105 00 90	hose	2.00	2
	8 09 14 10 118 90	seal	1.00	2
	6 90 20 66 003 00-00	handle	1.00	10
	3 90 15 05 042 00 90	cartridge	1.00	2
	2 09 31 11 008 90	pin	1.00	2