

33 815 861 Product version from 2/1/2023



- 235mm projection
- pivotable spout 360°
- Optional swivel limiter available with swivel limiter set 12 820 970 90
- air-enriched flow
- max. flow 8 l/min at 3 bar flow pressure
- lead-free
- This product can help a building meet the requirements of Green Building Rating Systems, e.g. LEED®, BREEAM®, DGNB
- WRAS

	Chrome	33 815 861-00
	Brushed Platinum	33 815 861-06
	Platinum	33 815 861-08
	Dark Chrome	33 815 861-19
	Brushed Durabronze (23kt Gold)	33 815 861-28
	Matte Black	33 815 861-33
	Brushed Dark Brass (PVD)	33 815 861-39
	Brushed Bronze (PVD)	33 815 861-42
	Brushed Champagne (22kt Gold)	33 815 861-46
	Champagne (22kt Gold)	33 815 861-47
	Brushed Chrome	33 815 861-93
	Brushed Dark Platinum	33 815 861-99


Recommended miscellaneous

	Swivel limitation set -	12 820 970 90
---	--------------------------------	---------------

Recommended miscellaneous

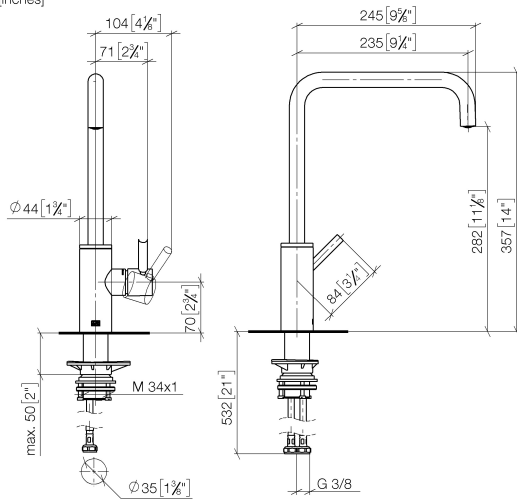
	Strainer waste with control handle - Chrome	10 712 970-00
---	--	---------------

Recommended miscellaneous

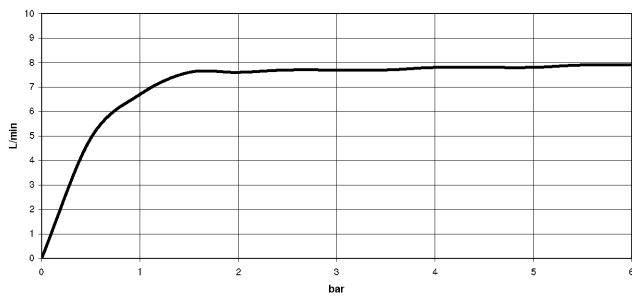
	Dispenser without rosette - Chrome	82 424 970-00
---	---	---------------

33 815 861 Product version from 2/1/2023

mm [inches]



Flow rate chart



Codes & Standards

DIN 4109

ISO 3822

Scottish Water
Byelaws

UK Water Supply
Regulations

Ü-Zeichen



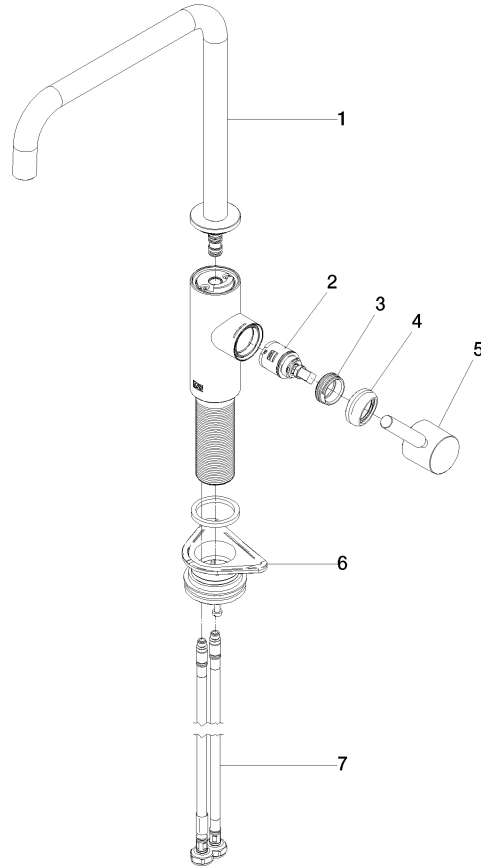
META SQUARE Single-lever mixer - Chrome

META SQUARE

33 815 861 Product version from 2/1/2023

Certificates and sustainability

LGA_38	WRAS_240102	EPD-DOR-20230287 -IBA1-EN Environmental.prod uct-declarat
--------	-------------	--



Spare parts list

No.	Item Number	Name	Quantity used	Delivery time
1	90 28 22 284 00-00	spout	1.00	10
5	90 20 66 033 00-00	handle	1.00	10
7	04 30 04 101 00 90	hose	2.00	2
4	90 28 30 052 00-00	cover	1.00	10
3	09 24 04 266 90	nut	1.00	2
6	04 23 10 044 08 90	fixing set	1.00	2
2	90 15 05 042 00 90	cartridge	1.00	2