

33 860 875 Product version up to 7/24/2018



- 240mm projection
- pivotable 360°
- air-enriched flow and spray flow
- height of mixer 685 mm
- height up to aerator 129 mm
- hole diameter 35 mm
- sprayface with anti-scaling system
- max. flow 8 l/min at 3 bar flow pressure
- lead-free
- This product can help a building meet the requirements of Green Building Rating Systems, e.g. LEED®, BREEAM®, DGNB

Intrinsic protection against back flow.

	Chrome	33 860 875-00
	Brushed Platinum	33 860 875-06
	Platinum	33 860 875-08
	Dark Chrome	33 860 875-19
	Brushed Dark Brass (PVD)	33 860 875-39
	Brushed Bronze (PVD)	33 860 875-42
	Brushed Chrome	33 860 875-93
	Brushed Dark Platinum	33 860 875-99

**Recommended miscellaneous**

**Strainer waste with control handle - Chrome** 10 712 970-00

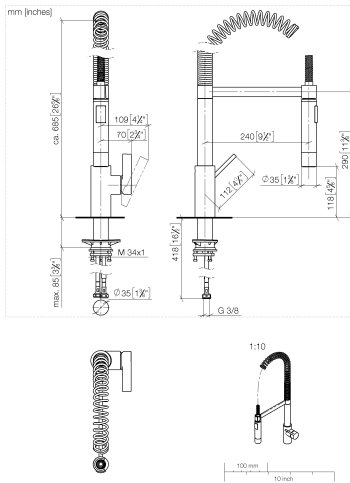


**Recommended miscellaneous**

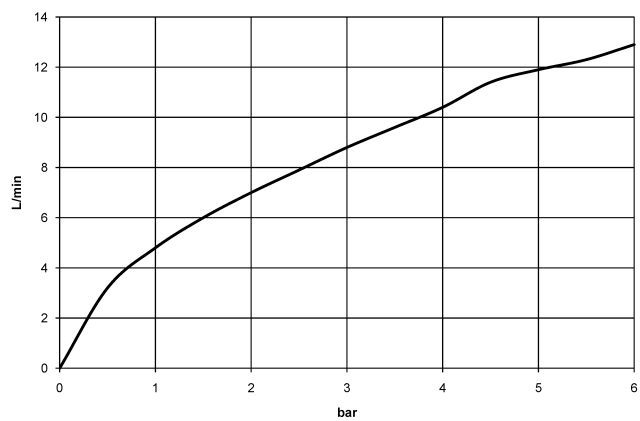
**Dispenser without rosette - Chrome** 82 424 970-00



33 860 875 Product version up to 7/24/2018



Flow rate chart



Codes & Standards

DIN 4109

EN 1717

ISO 3822

Ü-Zeichen



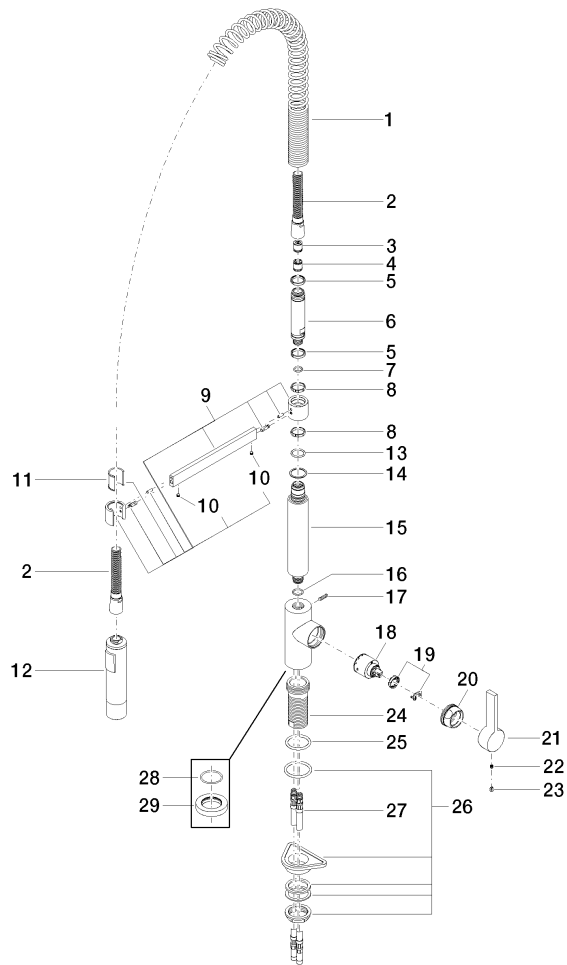
## TARA ULTRA Profi single-lever mixer - Chrome

TARA ULTRA

33 860 875 Product version up to 7/24/2018

### Certificates and sustainability

LGA_18	Belgaqua_22_277_2	EPD-DOR-20230287 -IBA1-EN Environmental.prod uct-declarat
--------	-------------------	--



Spare parts list

No.	Item Number	Name	Quantity used	Delivery time
6	09 30 01 067 10-00	adaptor	1.00	10
8	09 28 10 181 90	ring	2.00	2
15	09 11 10 072 10-00	connection	1.00	10
13	09 14 10 100 90	seal	1.00	2
9	04 17 20 029 00-00	holder	1.00	10
27	04 30 04 016 00 90	hose	2.00	60
5	09 14 15 024 90	ring	2.00	2
26	04 23 10 044 02 90	fixing set	1.00	2
25	09 14 10 036 90	seal	1.00	2
21	09 20 79 040-00	handle	1.00	10
28	09 14 10 149 90	seal	1.00	2
3	09 23 01 046 90	back-flow preventer	1.00	2
11	09 18 40 118 90	sleeve	1.00	2
29	09 28 10 035-00	rosette	1.00	10
23	09 31 20 017 90	plug	1.00	2
24	09 30 01 111 20 90	sleeve	1.00	2
17	04 31 11 113 00 90	pin	1.00	2
1	09 16 02 035 90	spring	1.00	2
20	09 24 04 107-00	nut	1.00	10
18	90 15 05 061 00 90	cartridge	1.00	60
14	09 28 10 122 90	ring	1.00	2
12	04 12 11 092 10-00	shower	1.00	10
7	90 14 10 077 00 90	seal	1.00	2
4	90 23 01 141 00 90	back-flow preventer	1.00	2
10	90 31 11 112 00 90	pin	2.00	2
2	90 30 02 065 00-00	hose	1.00	10
16	90 14 10 055 00 90	seal	1.00	2
19	90 28 10 148 00 90	accessories	1.00	2
22	90 31 11 030 00 90	pin	1.00	2