

33 870 809 Product version from 7/1/2023



- 240mm projection
- pivotable spout 360°
- Optional swivel limiter available with swivel limiter set 12 823 970 90
- air-enriched flow and spray flow
- 1800 mm metal shower hose
- sprayface with anti-scaling system
- max. flow 8 l/min at 3 bar flow pressure
- lead-free
- Flow modes can be changed while the water is running
- This product can help a building meet the requirements of Green Building Rating Systems, e.g. LEED®, BREEAM®, DGNB

Intrinsic protection against back flow.

	Brushed Dark Platinum	33 870 809-99
	Chrome	33 870 809-00
	Brushed Platinum	33 870 809-06
	Platinum	33 870 809-08
	Durabronze (23kt Gold)	33 870 809-09
	Dark Chrome	33 870 809-19
	Brushed Durabronze (23kt Gold)	33 870 809-28
	Matte Black	33 870 809-33
	Brushed Dark Brass (PVD)	33 870 809-39
	Brushed Bronze (PVD)	33 870 809-42
	Brushed Champagne (22kt Gold)	33 870 809-46
	Champagne (22kt Gold)	33 870 809-47
	Brushed Chrome	33 870 809-93

Recommended miscellaneous

Swivel limitation set -

12 823 970 90



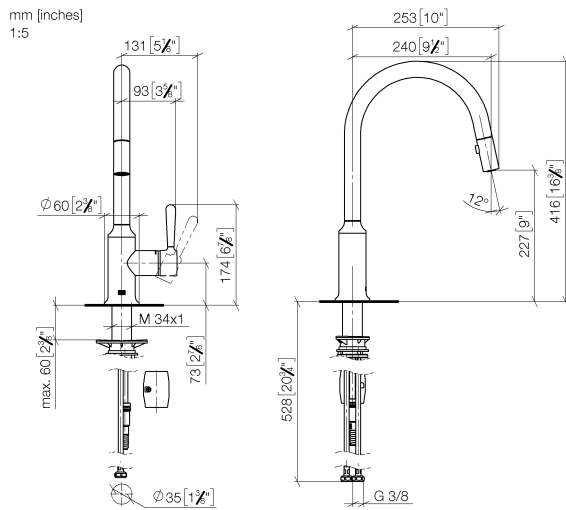
Recommended miscellaneous

**VAIA Dispenser with rosette -
Brushed Dark Platinum**

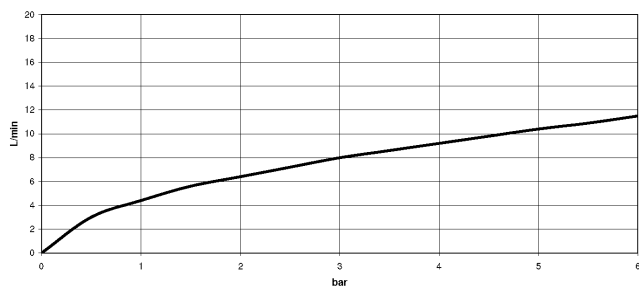
82 434 809-99



33 870 809 Product version from 7/1/2023



Flow rate chart



Codes & Standards

DIN 4109

EN 1717

ISO 3822

Ü-Zeichen



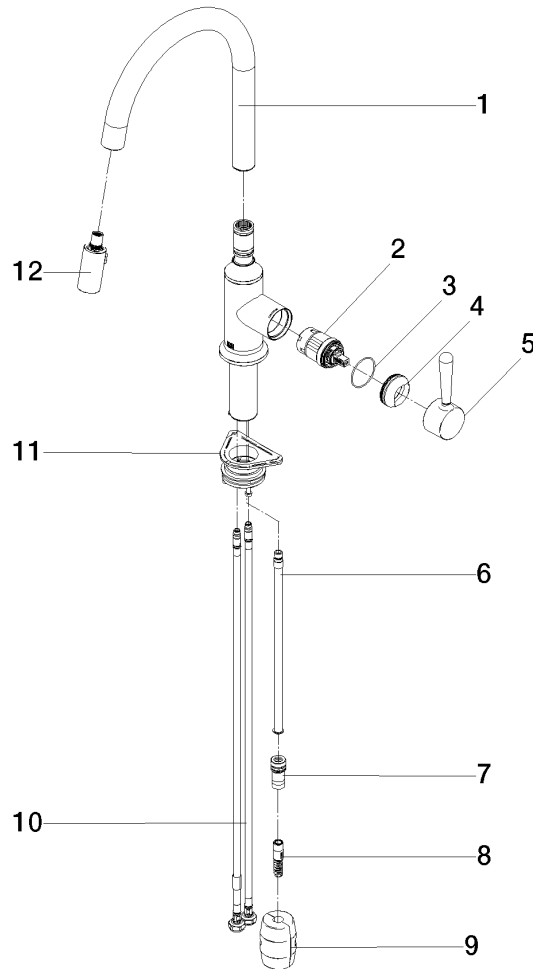
VAIA Single-lever mixer Pull-down with spray function - Brushed Dark Platinum

VAIA

33 870 809 Product version from 7/1/2023

Certificates and sustainability

LGA_28	Belgaqua_24-005-2	EPD-DOR-20230287 -IBA1-EN Environmental.prod uct-declarat
--------	-------------------	--------------------------------------------------------------------



Spare parts list

No.	Item Number	Name	Quantity used	Delivery time
6	04 28 20 067 00 90	pipe	1.00	2
7	90 24 03 253 00 90	adaptor	1.00	2
4	09 28 30 030-99	cover	1.00	20
1	90 28 22 397 00-99	spout	1.00	20
2	90 15 05 064 05 90	cartridge	1.00	2
3	09 14 10 190 90	seal	1.00	2
5	90 20 80 052 00-99	handle	1.00	20
10	04 30 04 101 00 90	hose	2.00	2
11	04 30 11 040 00 90	fixing set	1.00	2
12	90 18 40 317 00-99	shower	1.00	20
8	04 30 02 120 00-85	hose	1.00	10
9	04 21 50 010 00 90	accessories	1.00	2