

Concealed single-lever mixer with cover plate - Chrome

SERIES SPECIFIC

36 060 670 Product version from 6/1/2024



- cover plate 80 x 80 mm
- WRAS

	Chrome	36 060 670-00
	Brushed Platinum	36 060 670-06
	Platinum	36 060 670-08
	Dark Chrome	36 060 670-19
	Brushed Light Gold (PVD)	36 060 670-27
	Brushed Durabrass (23kt Gold)	36 060 670-28
	Matte Black	36 060 670-33
	Brushed Gold (PVD)	36 060 670-37
	Brushed Dark Brass (PVD)	36 060 670-39
	Brushed Champagne (22kt Gold)	36 060 670-46
	Champagne (22kt Gold)	36 060 670-47
	Brushed Chrome	36 060 670-93
	Brushed Dark Platinum	36 060 670-99

Required miscellaneous

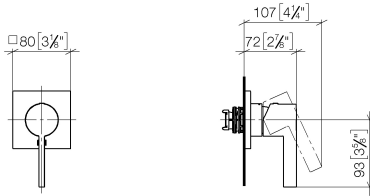


Concealed wall-mounted single-lever mixer - 35 860 970 90

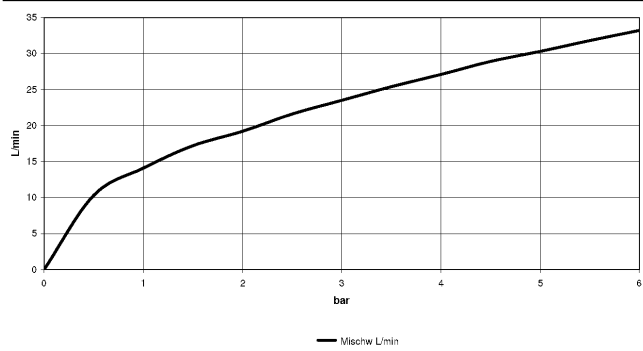
- max. recess depth 95 mm
- min. recess depth 75 mm

36 060 670 Product version from 6/1/2024

mm [inches]



Flow rate chart



Codes & Standards

DIN 4109

ISO 3822

Scottish Water
Byelaws

UK Water Supply
Regulations

Ü-Zeichen



Concealed single-lever mixer with cover plate - Chrome

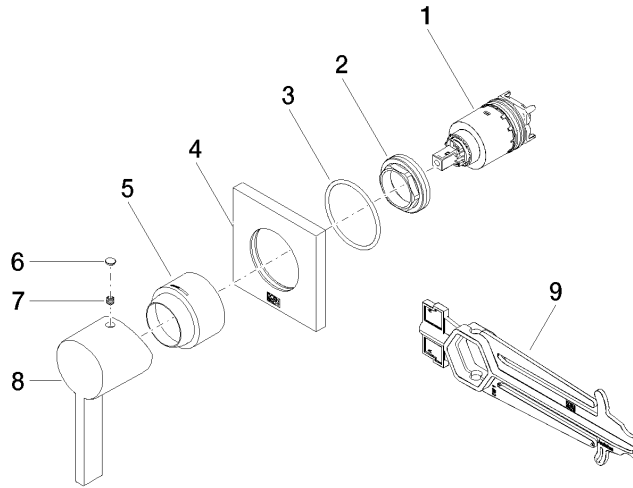
SERIES SPECIFIC

36 060 670 Product version from 6/1/2024

Certificates and sustainability

WRAS_2107

LGA_29



Spare parts list

No.	Item Number	Name	Quantity used	Delivery time
8	09 20 67 004-00	handle	1.00	10
4	09 27 78 048-00	rosette	1.00	10
1	90 15 05 064 01 90	cartridge	1.00	2
5	09 11 02 530-00	cover	1.00	10
2	09 24 04 105 90	nut	1.00	2
6	90 31 20 087 00-00	plug	1.00	10
9	90 30 09 064 00 90	key	1.00	2
3	90 14 10 049 00 90	seal	1.00	2
7	90 31 11 112 00 90	pin	1.00	2