

36 060 809 Product version from 4/1/2025

- cover plate 80 x 80 mm



	Chrome	36 060 809-00
	Brushed Platinum	36 060 809-06
	Platinum	36 060 809-08
	Dark Chrome	36 060 809-19
	Brushed Durabronze (23kt Gold)	36 060 809-28
	Brushed Dark Brass (PVD)	36 060 809-39
	Brushed Bronze (PVD)	36 060 809-42
	Brushed Champagne (22kt Gold)	36 060 809-46
	Champagne (22kt Gold)	36 060 809-47
	Brushed Dark Platinum	36 060 809-99

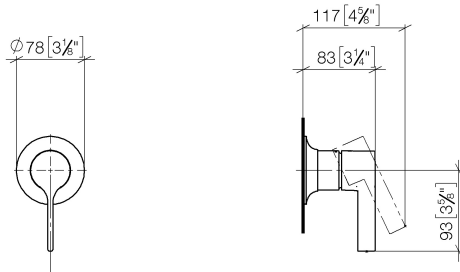
Required miscellaneous



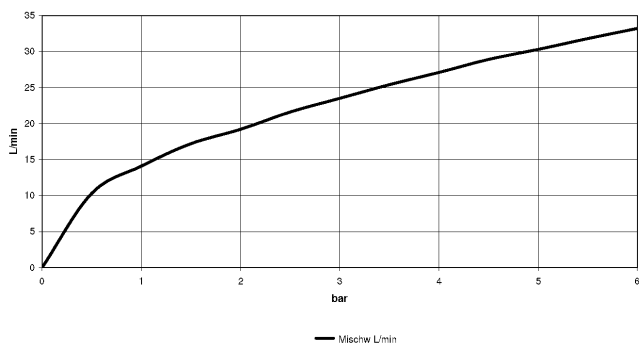
- Concealed wall-mounted single-lever mixer -** 35 860 970 90
- max. recess depth 95 mm
 - min. recess depth 75 mm

36 060 809 Product version from 4/1/2025

mm [inches]



Flow rate chart



Codes & Standards

DIN 4109

ISO 3822

Ü-Zeichen



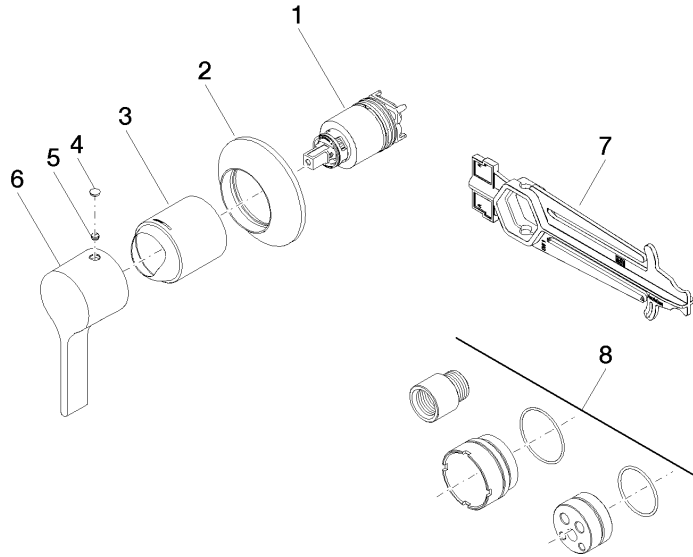
VAIA Concealed single-lever mixer with cover plate - Chrome

VAIA

36 060 809 Product version from 4/1/2025

Certificates and sustainability

LGA_29



Spare parts list

No.	Item Number	Name	Quantity used	Delivery time
3	09 11 02 293-00	cover	1.00	10
6	09 20 80 021-00	handle	1.00	60
4	90 31 20 087 00-00	plug	1.00	10
2	90 27 80 032 00-00	rosette	1.00	10
1	90 15 05 064 01 90	cartridge	1.00	2
5	90 31 11 063 00 90	pin	1.00	2
7	90 30 09 064 00 90	key	1.00	2
8	12 869 970 90	Extension 20 mm -	1.00	2