

**MEM Wall valve clockwise closing 1/2" - Chrome**

MEM

36 604 782 Product version from 9/1/2022



- With hammered effect texture
- rosette 60 x 60 mm
- head part with cut-to-length spindle and sleeve
- WRAS

	Chrome	36 604 782-00
	Brushed Platinum	36 604 782-06
	Platinum	36 604 782-08
	Dark Chrome	36 604 782-19
	Brushed Durabronze (23kt Gold)	36 604 782-28
	Brushed Dark Brass (PVD)	36 604 782-39
	Brushed Champagne (22kt Gold)	36 604 782-46
	Champagne (22kt Gold)	36 604 782-47
	Brushed Dark Platinum	36 604 782-99

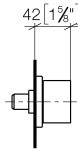
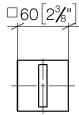
**Required miscellaneous**



- Wall valve 1/2" -** 35 607 970 90
- max. recess depth 150 mm
  - min. recess depth 105 mm

36 604 782 Product version from 9/1/2022

mm [inches]

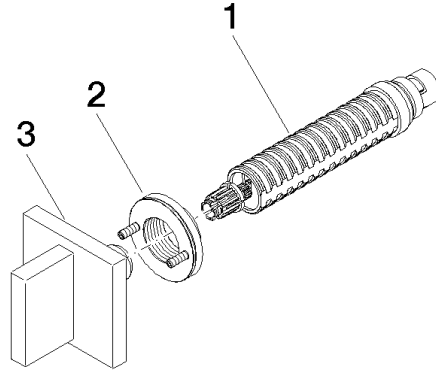


**Codes & Standards**

ASME A112.18.1	cUPC	DIN 4109	ISO 3822
Scottish Water Byelaws	UK Water Supply Regulations	Ü-Zeichen	

**Certificates and sustainability**

WRAS_2011	LGA_29	WRAS_2010	LGA_29	IAPMO_4976 (
-----------	--------	-----------	--------	--------------



### Spare parts list

No.	Item Number	Name	Quantity used	Delivery time
2	90 21 02 108 00 90	disc	1.00	2
3	90 20 78 009 02-00	handle	1.00	10
1	90 90 03 143 00 90	top	1.00	2