

Volume Control clockwise-closing 1/2" - Chrome

SERIES SPECIFIC


36 607 740 Product version from 7/1/2023



- Without flange
- Handle Ø 2-3/8"
- without marking
- Ceramic disc cartridge

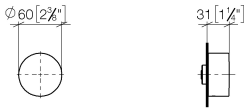
	Chrome	36 607 740-00
	Brushed Platinum	36 607 740-06
	Dark Chrome	36 607 740-19
	Light Gold (PVD)	36 607 740-26
	Brushed Light Gold (PVD)	36 607 740-27
	Brushed Durabrass (23kt Gold)	36 607 740-28
	Matte Black	36 607 740-33
	Brushed Dark Brass (PVD)	36 607 740-39
	Brushed Bronze (PVD)	36 607 740-42
	Brushed Champagne (22kt Gold)	36 607 740-46
	Champagne (22kt Gold)	36 607 740-47
	Brushed Chrome	36 607 740-93
	Brushed Dark Platinum	36 607 740-99

Required article

	Rough for volume control 1/2" -	35 607 970-90
	•Max. rough in depth 5-3/4"	0010
	•Min. rough in depth 3-3/8"	

36 607 740 Product version from 7/1/2023

mm [inches]



Flow rate chart



Codes & Standards

ASME A112.18.1	cUPC	DIN 4109	EN 1111
EN 200	ISO 3822	Scottish Water Byelaws	UK Water Supply Regulations

Ü-Zeichen



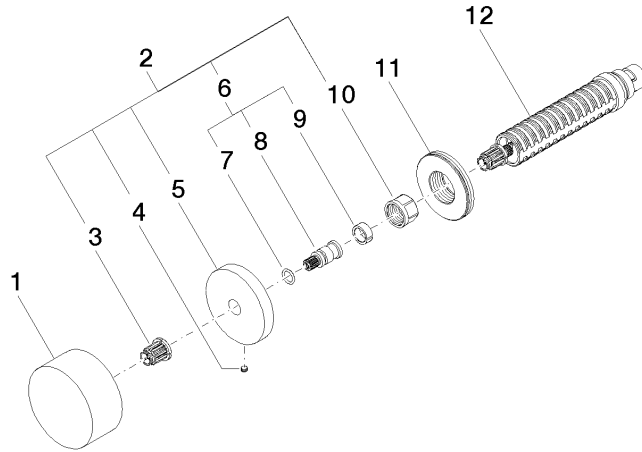
Volume Control clockwise-closing 1/2" - Chrome

SERIES SPECIFIC

36 607 740 Product version from 7/1/2023

Certificates and sustainability

DVGW_DW-6501DN0	WRAS_2011	LGA_38	LGA_29	WRAS_2010
DVGW_DW-6512DN0	LGA_29	IAPMO_4976 (



Spare parts list

Number	Item Number	Designation	Number of units	Lead time
5	09 27 74 004-00	rosette	1.00	10
12	90 90 03 143 00 90	top	1.00	2
6	04 29 06 020 00-00	spindle	1.00	10
4	09 31 11 055 90	pin	1.00	2
11	09 30 01 107 90	sleeve	1.00	2
1	09 20 74 004-00	handle	1.00	10
2	04 27 74 004 00-00	rosette	1.00	10
3	90 12 12 002 00 90	fixing cap	1.00	2
8	09 29 06 020-00	spindle	1.00	10
9	90 14 15 020 03 90	ring	1.00	2
7	90 14 10 060 00 90	seal	1.00	2
10	90 23 30 023 00 90	nut	1.00	2