


36 607 741 Product version from 7/1/2023



- Without flange
- Handle Ø 2-3/8"
- with marking for cold
- Ceramic disc cartridge

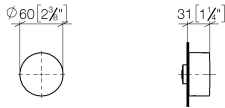
	Chrome	36 607 741-00
	Brushed Platinum	36 607 741-06
	Dark Chrome	36 607 741-19
	Brushed Durabronze (23kt Gold)	36 607 741-28
	Matte Black	36 607 741-33
	Brushed Champagne (22kt Gold)	36 607 741-46
	Champagne (22kt Gold)	36 607 741-47
	Brushed Dark Platinum	36 607 741-99

Required article

	Rough for volume control 1/2" - <ul style="list-style-type: none"> •Min. rough in depth 3-3/8" •Max. rough in depth 5-3/4" 	35 607 970-90 0010
--	--	-----------------------

36 607 741 Product version from 7/1/2023

mm [inches]



Flow rate chart



Codes & Standards

ASME A112.18.1	cUPC	DIN 4109	EN 200
ISO 3822	Scottish Water Byelaws	UK Water Supply Regulations	Ü-Zeichen



Volume Control clockwise-closing cold 1/2" - Chrome

SERIES SPECIFIC

36 607 741 Product version from 7/1/2023

Certificates and sustainability

DVGW_DW-
6501DN0

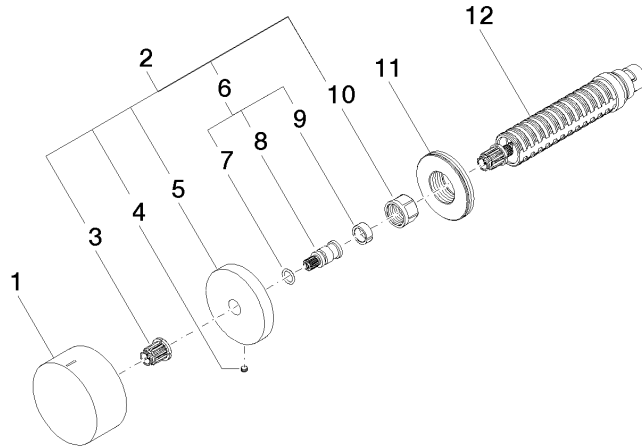
LGA_38

LGA_29

WRAS_2010

LGA_29

IAPMO_4976 (



Spare parts list

Number	Item Number	Designation	Number of units	Lead time
6	04 29 06 020 00-00	spindle	1.00	10
1	09 20 74 020-00	handle (cold)	1.00	10
4	09 31 11 055 90	pin	1.00	2
2	04 27 74 004 00-00	rosette	1.00	10
12	90 90 03 143 00 90	top	1.00	2
3	90 12 12 002 00 90	fixing cap	1.00	2
11	09 30 01 107 90	sleeve	1.00	2
5	09 27 74 004-00	rosette	1.00	10
8	09 29 06 020-00	spindle	1.00	10
10	90 23 30 023 00 90	nut	1.00	2
7	90 14 10 060 00 90	seal	1.00	2
9	90 14 15 020 03 90	ring	1.00	2