

MEM Wall valve clockwise closing 1/2" - Chrome

MEM

36 607 782 Product version up to 10/14/2020



- rosette 60 x 60 mm
- head part with cut-to-length spindle and sleeve
- WRAS

	Chrome	36 607 782-00
	Brushed Platinum	36 607 782-06
	Platinum	36 607 782-08
	Dark Chrome	36 607 782-19
	Brushed Durabrass (23kt Gold)	36 607 782-28
	Brushed Dark Brass (PVD)	36 607 782-39
	Brushed Champagne (22kt Gold)	36 607 782-46
	Champagne (22kt Gold)	36 607 782-47
	Brushed Chrome	36 607 782-93
	Brushed Dark Platinum	36 607 782-99

Required miscellaneous

- Wall valve 1/2" -** 35 607 970 90
- max. recess depth 150 mm
 - min. recess depth 105 mm

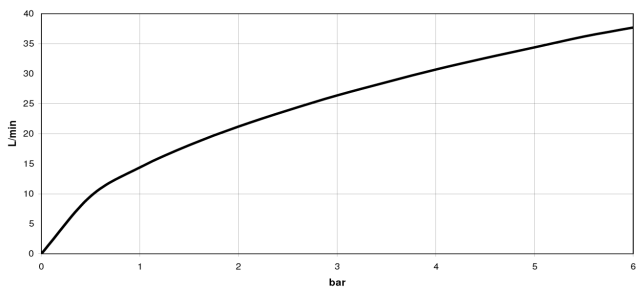


36 607 782 Product version up to 10/14/2020

mm [inches]



Flow rate chart



Codes & Standards

ASME A112.18.1	cUPC	DIN 4109	EN 1111
EN 200	ISO 3822	Scottish Water Byelaws	UK Water Supply Regulations

Ü-Zeichen



MEM Wall valve clockwise closing 1/2" - Chrome

MEM

36 607 782 Product version up to 10/14/2020

Certificates and sustainability

DVGW_DW-
6501DN0

WRAS_2011

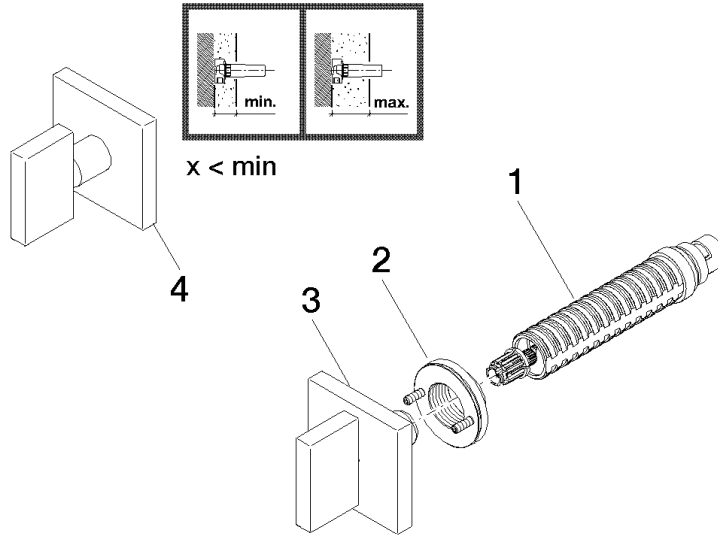
LGA_29

WRAS_2010

DVGW_DW-
6512DN0

LGA_29

IAPMO_4976 (



Spare parts list

No.	Item Number	Name	Quantity used	Delivery time
3	90 20 78 002 02-00	handle	1.00	2
1	90 90 03 143 00 90	top	1.00	2
2	90 21 02 108 00 90	disc	1.00	2
4	90 20 78 002 01-00	handle	1.00	10