

Wall valve clockwise closing 3/4" - Chrome

SERIES SPECIFIC

36 608 740 Product version from 7/1/2023



- without rosette
- handle Ø 60mm
- without marking
- head part with cut-to-length spindle and sleeve
- WRAS

	Chrome	36 608 740-00
	Brushed Platinum	36 608 740-06
	Dark Chrome	36 608 740-19
	Light Gold (PVD)	36 608 740-26
	Brushed Light Gold (PVD)	36 608 740-27
	Brushed Durabrass (23kt Gold)	36 608 740-28
	Matte Black	36 608 740-33
	Brushed Dark Brass (PVD)	36 608 740-39
	Brushed Bronze (PVD)	36 608 740-42
	Brushed Champagne (22kt Gold)	36 608 740-46
	Champagne (22kt Gold)	36 608 740-47
	Brushed Chrome	36 608 740-93
	Brushed Dark Platinum	36 608 740-99

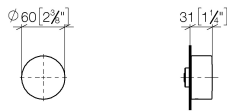
Required miscellaneous

- Wall valve 3/4" -** 35 608 970 90
- max. recess depth 145 mm
 - min. recess depth 85 mm

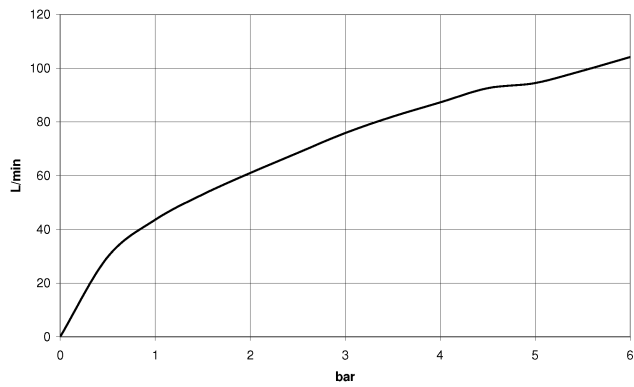


36 608 740 Product version from 7/1/2023

mm [inches]



Flow rate chart



Codes & Standards

ASME A112.18.1

cUPC

Scottish Water
Byelaws

UK Water Supply
Regulations



Wall valve clockwise closing 3/4" - Chrome

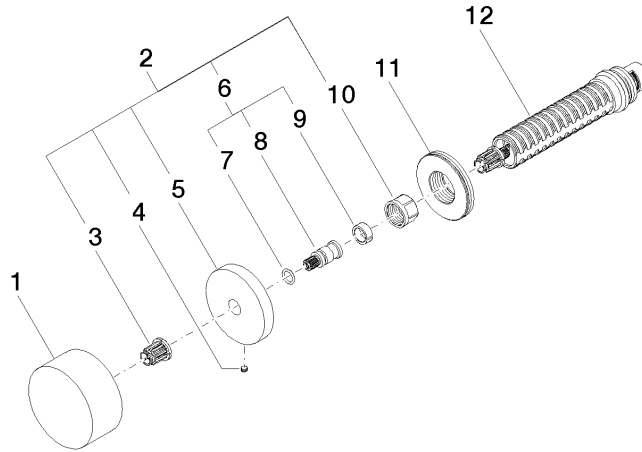
SERIES SPECIFIC

36 608 740 Product version from 7/1/2023

Certificates and sustainability

WRAS_2010

IAPMO_4976 (



Spare parts list

No.	Item Number	Name	Quantity used	Delivery time
5	09 27 74 004-00	rosette	1.00	10
11	09 30 01 107 90	sleeve	1.00	2
8	09 29 06 020-00	spindle	1.00	10
6	04 29 06 020 00-00	spindle	1.00	10
3	90 12 12 002 00 90	fixing cap	1.00	2
1	09 20 74 004-00	handle	1.00	10
12	90 90 03 127 00 90	top	1.00	2
4	09 31 11 055 90	pin	1.00	2
2	04 27 74 004 00-00	rosette	1.00	10
10	90 23 30 023 00 90	nut	1.00	2
7	90 14 10 060 00 90	seal	1.00	2
9	90 14 15 020 03 90	ring	1.00	2