

MEM Wall valve clockwise closing 3/4" - Chrome

MEM

36 608 782 Product version up to 10/27/2020



- rosette 60 x 60 mm
- head part with cut-to-length spindle and sleeve
- WRAS

	Chrome	36 608 782-00
	Brushed Platinum	36 608 782-06
	Platinum	36 608 782-08
	Dark Chrome	36 608 782-19
	Brushed Durabronze (23kt Gold)	36 608 782-28
	Brushed Dark Brass (PVD)	36 608 782-39
	Brushed Champagne (22kt Gold)	36 608 782-46
	Champagne (22kt Gold)	36 608 782-47
	Brushed Dark Platinum	36 608 782-99

Required miscellaneous



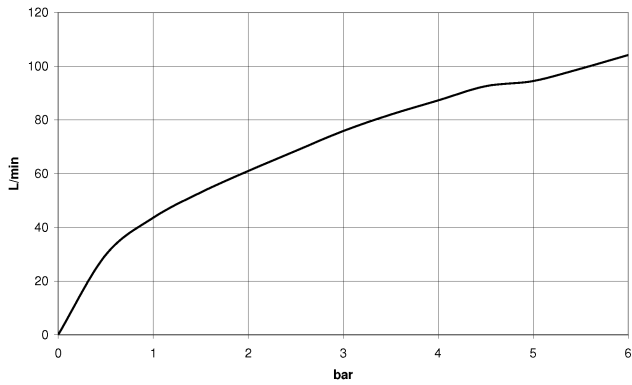
- Wall valve 3/4" -** 35 608 970 90
- max. recess depth 150 mm
 - min. recess depth 105 mm

36 608 782 Product version up to 10/27/2020

mm [inches]



Flow rate chart



Codes & Standards

ASME A112.18.1

cUPC

Scottish Water
Byelaws

UK Water Supply
Regulations



MEM Wall valve clockwise closing 3/4" - Chrome

MEM

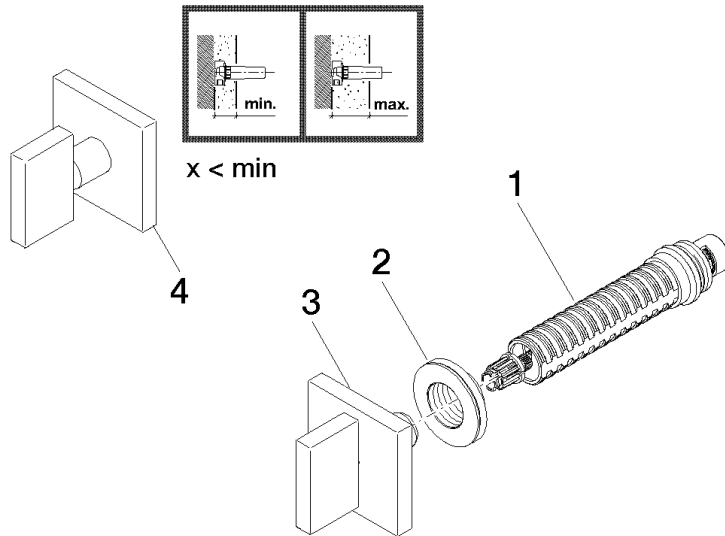
36 608 782 Product version up to 10/27/2020

Certificates and sustainability

WRAS_2010

IAPMO_4976 (

36 608 782 Product version up to 10/27/2020



Spare parts list

No.	Item Number	Name	Quantity used	Delivery time
2	09 21 02 108 90	disc	1.00	60
1	90 90 03 127 00 90	top	1.00	2
3	90 20 78 002 02-00	handle	1.00	2
4	90 20 78 002 01-00	handle	1.00	10