

# IMO Wall-mounted three-hole lavatory mixer without drain - Chrome








IMO

36 707 671 Product version from 4/1/2024



- 5-1/2" Projection
- Rigid spout
- Rectangular aerated stream
- Valve hole diameter 1-3/8"
- Spout hole diameter 1-3/8"
- Individual flanges 2-3/8" x 2-3/8"
- Water flow rate limited to max. 1.2 gpm
- lead-free
- This product can help a building meet the requirements of Green Building Rating Systems, e.g. LEED®, BREEAM®, DGNB **(ADA)**

(ADA)

	Chrome	36 707 671-00 0010
	Brushed Platinum	36 707 671-06 0010
	Dark Chrome	36 707 671-19 0010
	Brushed Light Gold (PVD)	36 707 671-27 0010
	Matte Black	36 707 671-33 0010
	Brushed Chrome	36 707 671-93 0010
	Brushed Dark Platinum	36 707 671-99 0010

## Required article



- Rough for wall-mounted faucet flexible positioning -** 35 720 970-90 0010
- Min. rough in depth 4-3/8"
  - Max. rough in depth 5-7/8"

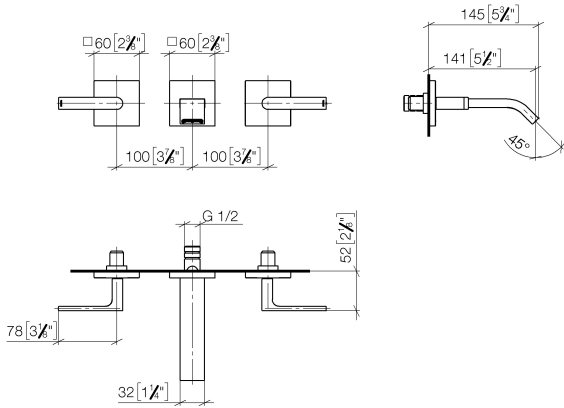
## Required article



- Rough for wall-mounted faucet , spout in center -** 35 700 970-90 0010
- Min. rough in depth 4-3/8"
  - Max. rough in depth 5-7/8"

36 707 671 Product version from 4/1/2024

mm [inches]



Codes & Standards

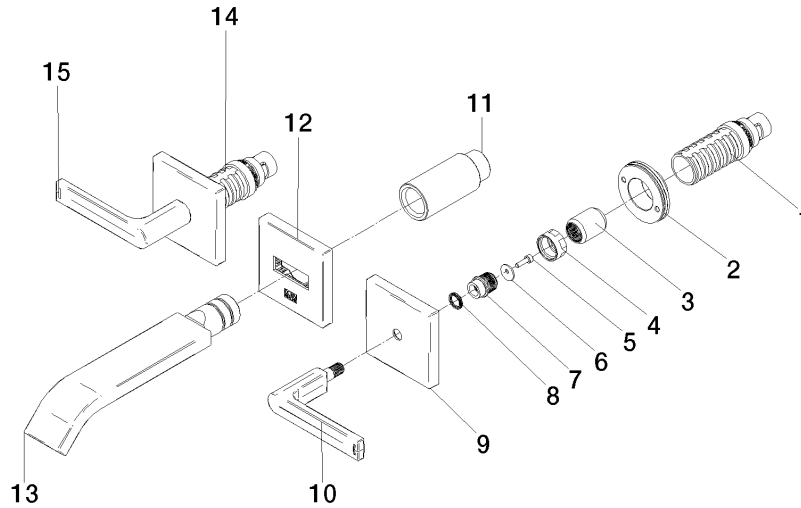
ADA ASME A112.18.1 cUPC EPA WaterSense

NSF372 NSF61 WaterSense



Certificates and sustainability

IAPMO\_N-4976 IAPMO\_6397 IAPMO\_8834 IAPMO\_4976 ( EPD-DOR-20230287  
-IBA1-EN  
Environmental.prod  
uct-declarat



Spare parts list

Number	Item Number	Designation	Number of units	Lead time
8	09 14 03 187 90	seal	2.00	2
4	09 23 30 074 90	nut	2.00	2
3	09 12 12 059 90	sleeve	2.00	2
5	09 30 30 167 90	screw	2.00	2
7	09 12 12 057 90	fixing cap	2.00	2
9	09 27 78 033-00	rosette	1.00	10
6	09 30 11 193 90	disc	2.00	2
13	90 28 22 412 00-00	spout	1.00	10
1	90 90 03 157 00 90	top	1.00	2
11	09 24 03 081 10 90	extension	1.00	2
12	90 27 67 027 00-00	rosette	1.00	10
15	90 20 67 026 00-00	handle ( hot )	1.00	10
14	90 90 03 156 00 90	top	1.00	2
10	90 20 67 025 00-00	handle ( cold )	1.00	10
2	90 21 02 108 00 90	disc	2.00	2