

36 707 892 Product version from 4/1/2024



- 6-1/4" Projection
- Rigid spout
- Round aerated stream
- Valve hole diameter 1-3/8"
- Spout hole diameter 1-3/8"
- Flanges, diameter 2-1/8"
- Water flow rate limited to max. 1.2 gpm
- lead-free
- This product can help a building meet the requirements of Green Building Rating Systems, e.g. LEED®, BREEAM®, DGNB **(ADA)**

(ADA)

|   |                                |                    |
|---|--------------------------------|--------------------|
|    | Chrome                         | 36 707 892-00 0010 |
|    | Brushed Platinum               | 36 707 892-06 0010 |
|    | Platinum                       | 36 707 892-08 0010 |
|    | Dark Chrome                    | 36 707 892-19 0010 |
|    | Brushed Durabronze (23kt Gold) | 36 707 892-28 0010 |
|    | Matte Black                    | 36 707 892-33 0010 |
|    | Brushed Dark Brass (PVD)       | 36 707 892-39 0010 |
|    | Brushed Bronze (PVD)           | 36 707 892-42 0010 |
|    | Brushed Dark Bronze (PVD)      | 36 707 892-43 0010 |
|   | Brushed Champagne (22kt Gold)  | 36 707 892-46 0010 |
|  | Champagne (22kt Gold)          | 36 707 892-47 0010 |
|  | Brushed Chrome                 | 36 707 892-93 0010 |
|  | Brushed Dark Platinum          | 36 707 892-99 0010 |

Required article



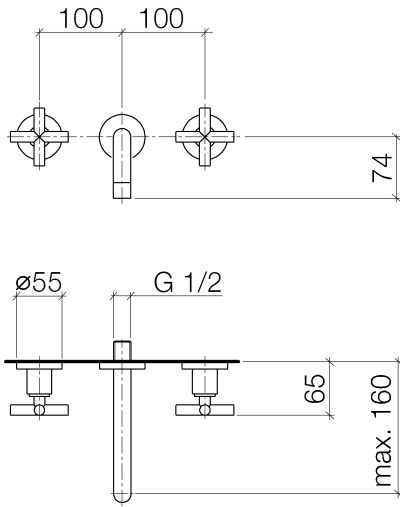
- Rough for wall-mounted faucet , spout in center -** 35 700 970-90 0010
- Max. rough in depth 5-3/4"
  - Min. rough in depth 3-3/8"

Required article



- Rough for wall-mounted faucet flexible positioning -** 35 720 970-90 0010
- Max. rough in depth 5-3/4"
  - Min. rough in depth 3-3/8"

36 707 892 Product version from 4/1/2024



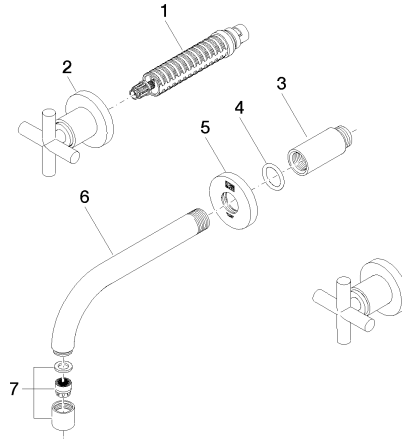
Codes & Standards

|                |                |                                    |            |
|----------------|----------------|------------------------------------|------------|
| ADA            | ASME A112.18.1 | California Energy Commission (CEC) | cUPC       |
| EPA WaterSense | NSF372         | NSF61                              | WaterSense |



Certificates and sustainability

|              |            |              |            |   |
|--------------|------------|--------------|------------|---|
| IAPMO_N-4976 | IAPMO_6397 | IAPMO_4976 ( | IAPMO_8834 | EPD-DOR-20230287<br>-IBA1-EN<br>Environmental product declaration |
|--------------|------------|--------------|------------|---|



### Spare parts list

| Number | Item Number        | Designation | Number of units | Lead time |
|--------|--------------------|-------------|-----------------|-----------|
| 5      | 09 27 22 501-00    | rosette     | 1.00            | 10        |
| 3      | 09 24 03 081 10 90 | extension   | 1.00            | 2         |
| 6      | 04 28 22 089 10-00 | spout       | 1.00            | 10        |
| 2      | 36 310 892-00      | connection  | 2.00            | 10        |
| 7      | 90 23 01 019 02-00 | aerator     | 1.00            | 10        |
| 1      | 90 90 03 157 00 90 | top         | 2.00            | 2         |
| 4      | 90 14 10 026 00 90 | seal        | 1.00            | 2         |