



CYO Wall-mounted single-lever mixer without drain - Chrome

CYO

36 861 811



- 7-1/2" Projection
- Rigid spout
- Rectangular aerated stream
- Spout hole diameter 1-1/2"
- Hole diameter single-lever mixer 2-1/4"
- Flange for mixer 3-1/8" x 3-1/8"
- Water flow rate limited to max. 1.2 gpm
- lead-free
- This product can help a building meet the requirements of Green Building Rating Systems, e.g. LEED®, BREEAM®, DGNB **(ADA)**

(ADA)

	Chrome	36 861 811-00
	Brushed Platinum	36 861 811-06
	Dark Chrome	36 861 811-19
	Brushed Durabronze (23kt Gold)	36 861 811-28
	Brushed Dark Platinum	36 861 811-99

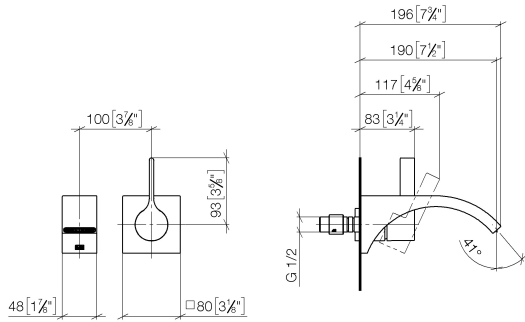
Required article



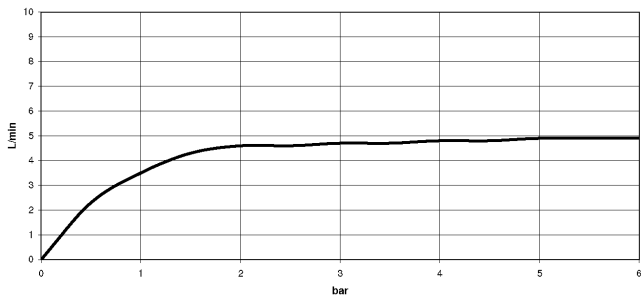
- Rough for wall-mounted faucet -** 35 860 970-90
0010
- Max. rough in depth 3-3/4"
 - Min. rough in depth 3"
 - Rough can be rotated to position the lever on top or to the left of the spout.

36 861 811

mm [inches]



Flow rate chart



Codes & Standards

ASME A112.18.1	California Energy Commission (CEC)	cUPC	DIN 4109
EPA WaterSense	ISO 3822	NSF372	NSF61
Scottish Water Byelaws	UK Water Supply Regulations	Ü-Zeichen	WaterSense





CYO Wall-mounted single-lever mixer without drain - Chrome

CYO

36 861 811

Certificates and sustainability

IAPMO_N-4976 WRAS_2107 IAPMO_6397 LGA_38 IAPMO_4976 (

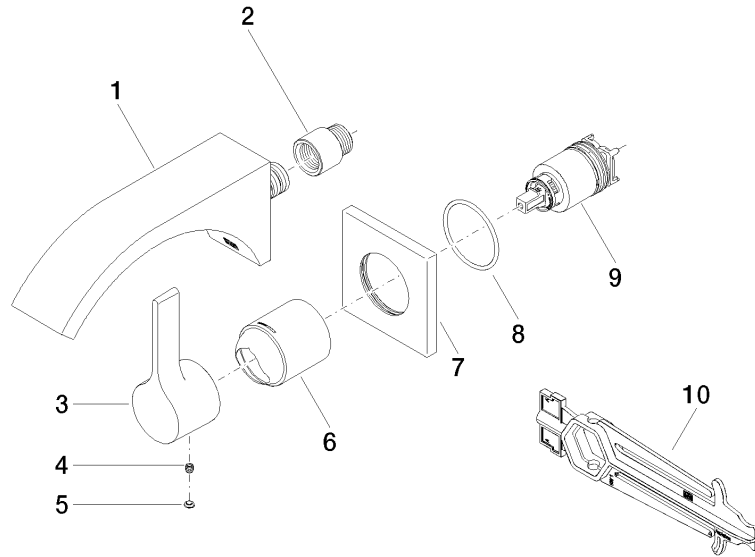
EPD-DOR-20230287 IAPMO_8834

-IBA1-EN

Environmental.prod

uct-declarat

36 861 811



Spare parts list

Number	Item Number	Designation	Number of units	Lead time
	9 90 15 05 064 01 90	cartridge	1.00	2
	5 90 31 20 087 00-00	plug	1.00	10
	3 09 20 80 021-00	handle	1.00	60
	7 09 27 78 039-00	rosette	1.00	10
	2 09 24 03 072 10 90	nipple	1.00	2
	6 09 11 02 288-00	cover	1.00	10
	1 13 805 811-00	CYO Lavatory spout, wall-mounted without drain - Chrome	1.00	10
	8 90 14 10 049 00 90	seal	1.00	2
	4 90 31 11 030 00 90	pin	1.00	2
	10 90 30 09 064 00 90	key	1.00	2