

38 500 004 Product version from 1/1/2025



- under-mounted
  - 500 x 400 mm
  - sink depth 175 mm
  - suitable for base units 550 mm
  - Radius 15 mm
  - Surface finish of the drain valve cover: brushed stainless steel
  - Surface of the pull knob: chrome
  - Specific punching of the drain opening
- Drain and overflow set not included in the scope of supply. See Required miscellaneous.  
Can only be combined with waste and overflow valve 10 410 004-86 or 10 405 004-86**

Drain and overflow set not included in the scope of supply. See Required miscellaneous.

Can only be combined with waste and overflow valve 10 410 004-86 or 10 405 004-86

Required miscellaneous



**Pop-up waste and overflow with electronic control - Brushed Stainless Steel** 10 410 004-86

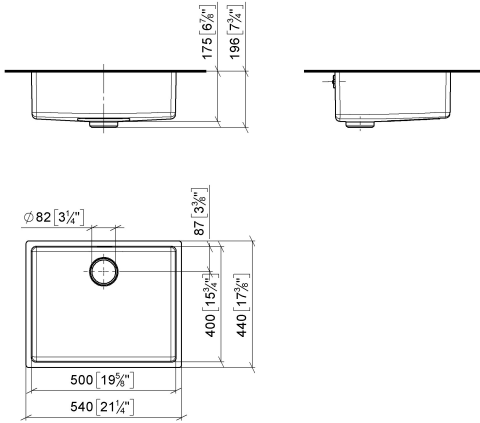
Required miscellaneous



**Basin Waste mechanical - Brushed Stainless Steel** 10 405 004-86

38 500 004 Product version from 1/1/2025

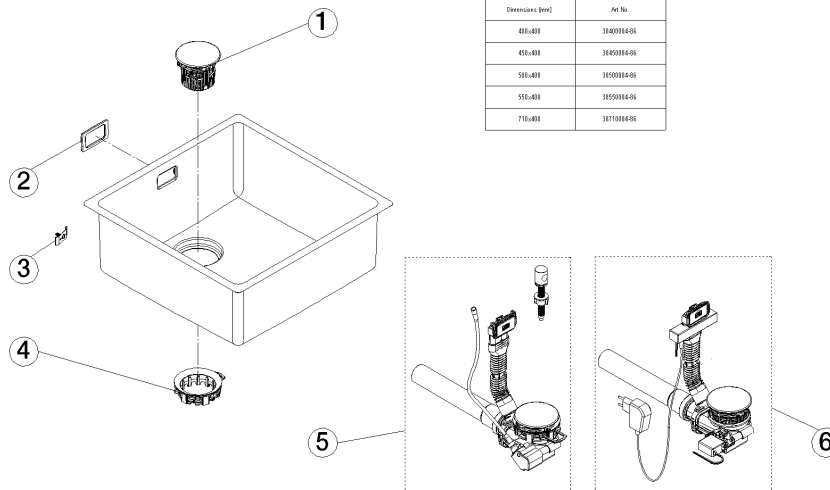
mm [inches]



**Certificates and sustainability**

Leistungserklärung\_ declaration\_of\_perfo  
DOD rformance\_DOD

38 500 004 Product version from 1/1/2025



### Spare parts list

No.	Item Number	Name	Quantity used	Delivery time
2	90 11 01 125 00 90	seal	1.00	2
1	90 11 01 135 00-86	strainer	1.00	30
5	10 405 004-86	Basin Waste mechanical - Brushed Stainless Steel	1.00	2
6	10 410 004-86	Pop-up waste and overflow with electronic control - Brushed Stainless Steel	1.00	2
3	90 38 00 010 00 90	fixing set	1.00	2
4	90 11 01 211 00 90	pop-up waste	1.00	2