

38 550 004 Product version from 1/1/2025



- under-mounted
 - 550 x 400 mm
 - sink depth 175 mm
 - suitable for base units 600 mm
 - Radius 15 mm
 - Surface finish of the drain valve cover: brushed stainless steel
 - Surface of the pull knob: chrome
 - Specific punching of the drain opening
- Drain and overflow set not included in the scope of supply. See Required miscellaneous.
Can only be combined with waste and overflow valve 10 410 004-86 or 10 405 004-86**

Drain and overflow set not included in the scope of supply. See Required miscellaneous.

Can only be combined with waste and overflow valve 10 410 004-86 or 10 405 004-86

Required miscellaneous



Pop-up waste and overflow with electronic control - Brushed Stainless Steel 10 410 004-86

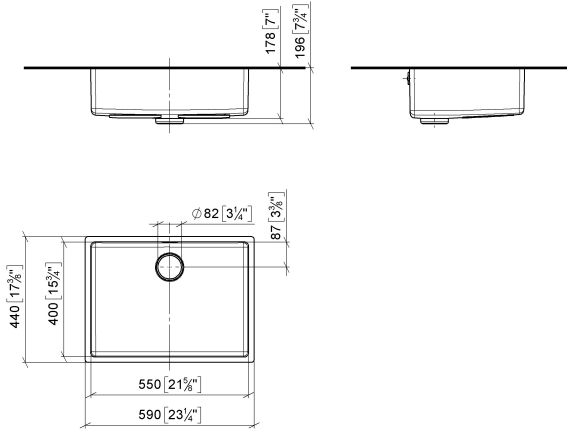
Required miscellaneous



Basin Waste mechanical - Brushed Stainless Steel 10 405 004-86

38 550 004 Product version from 1/1/2025

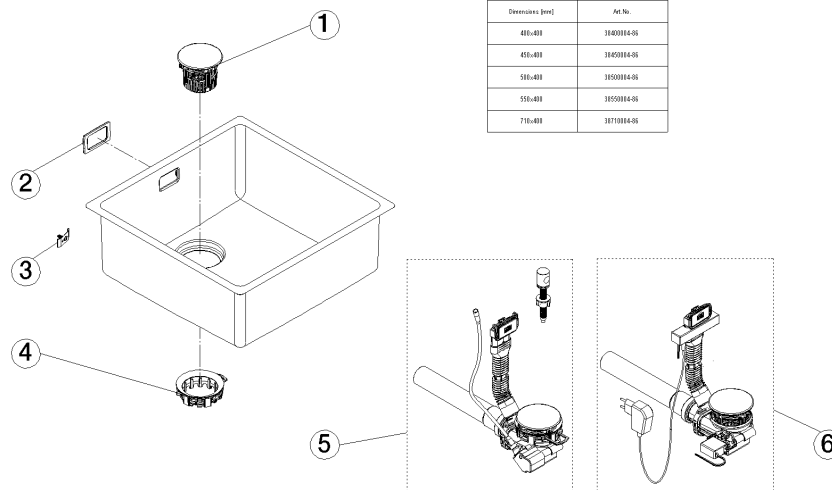
mm [inches]
1:10



Certificates and sustainability

Leistungserklärung_ declaration_of_perfo
DOD rmance_DOD

38 550 004 Product version from 1/1/2025



Spare parts list

No.	Item Number	Name	Quantity used	Delivery time
6	10 410 004-86	Pop-up waste and overflow with electronic control - Brushed Stainless Steel	1.00	2
1	90 11 01 135 00-86	strainer	1.00	30
2	90 11 01 125 00 90	seal	1.00	2
3	90 38 00 010 00 90	fixing set	1.00	2
4	90 11 01 211 00 90	pop-up waste	1.00	2
5	10 405 004-86	Basin Waste mechanical - Brushed Stainless Steel	1.00	2