

38 710 004



- under-mounted
 - 710 x 400 mm
 - sink depth 195 mm
 - suitable for base units 800 mm
 - Radius 15 mm
 - Surface finish of the drain valve cover: brushed stainless steel
 - Surface of the pull knob: chrome
 - Specific punching of the drain opening
- Drain and overflow set not included in the scope of supply. See Required miscellaneous.
Can only be combined with waste and overflow valve 10 410 004-86 or 10 405 004-86**

Drain and overflow set not included in the scope of supply. See Required miscellaneous.

Can only be combined with waste and overflow valve 10 410 004-86 or 10 405 004-86

Required miscellaneous



Pop-up waste and overflow with electronic control - Brushed Stainless Steel 10 410 004-86

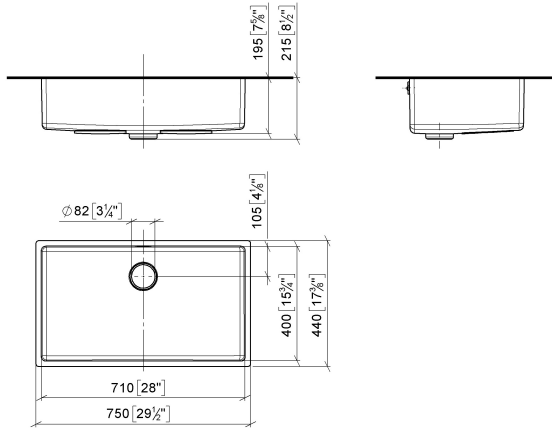
Required miscellaneous



Basin Waste mechanical - Brushed Stainless Steel 10 405 004-86

38 710 004

mm [inches]
1:10



Certificates and sustainability

Leistungserklärung_ declaration_of_perfo
DOD rmance_DOD

38 710 004

