

LUA

Bathtub, back-to-wall version, made of Marbond composite material

DIMENSIONS

Length	1700 mm
Width	855 mm
Height	540 mm

COLOUR AND FINISH

000 White

OPTIONS

000 - standard option

SPECIFICATION TEXT

Bathtub made of Marbond glossy surface

Back to wall version, with one piece panel with integrated overflow with click-clack waste and chrome cover 10 cm free space for installation, no cut-out required in the floor.

Charge 000 – without whirl system, without drillings for roman tub filler

MOUNTING ACCESSORIES INCLUDED

click-clack waste with chrome cover, order no. H295107

Flex-pipe 1m, order no. H294439

MOUNTING ACCESSORIES EXCLUDED

Noise control band, order no. H295551

Drain : Included

Material : Marbond

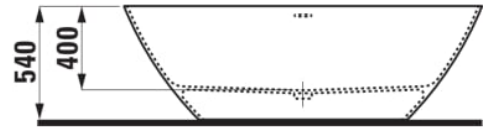
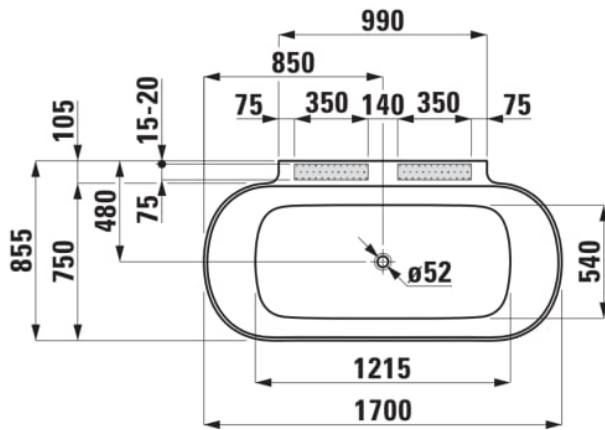
Shape : Oval

Installation type : Back to wall

Net weight (kg) : 95

Water capacity to overflow (l) : 240

TECHNICAL DRAWINGS



COMPATIBLE WITH



Bath mixer, fittings
distance 134-166 mm,
projection 159 mm, with
fittings, with synthetic
flexible hose 1600 mm,
with handspray Stella 80 1F

H3210810041311



Set for concealed bath
mixer, for Simibox
Standard & Simibox Light,
with integrated safety
device Type LB

H3210860040101

LUA

A design language reduced to the essentials: clear, geometric lines united in a continuous form. LUA offers a versatile bathroom collection for both private and public spaces. With extensive washbasin and WC options, coordinated faucets and statement bathtubs, all complemented by the LANI furniture range, the collection delivers a complete bathroom solution with enduring appeal.



#material_text

MARBOND

Marbond

Marbond is a composite material made of two layers which are extremely well connected with each other: The basis is formed by a high-quality mineral casting material, the surface is coated with a two millimetre thick acrylic layer. Marbond is hygienic, easy to clean, temperature resistant according to EN 263 and anti-slip (class C).