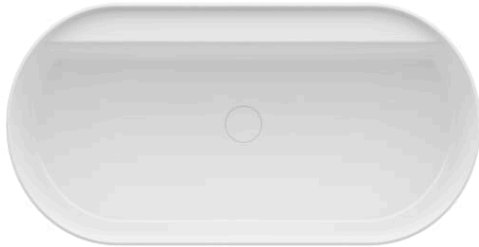


SONAR

Freestanding bathtub with relief



DIMENSIONS

Length	1600 mm
Width	815 mm
Height	535 mm

COLOUR AND FINISH

<input type="checkbox"/>	000 White
--------------------------	-----------

OPTIONS

000 - standard option

SPECIFICATION TEXT

Freestanding bathtub made of Marbond with relief on the surface with one piece panel with integrated overflow with click-clack waste and cover made of Marbond without whirl system Charge 000 – without drillings for roman tub filler

MOUNTING ACCESSORIES INCLUDED

click-clack waste with cover made of Marbond, order no. H291343

Flex-pipe 1m, order no. H294439

Installation type : Freestanding

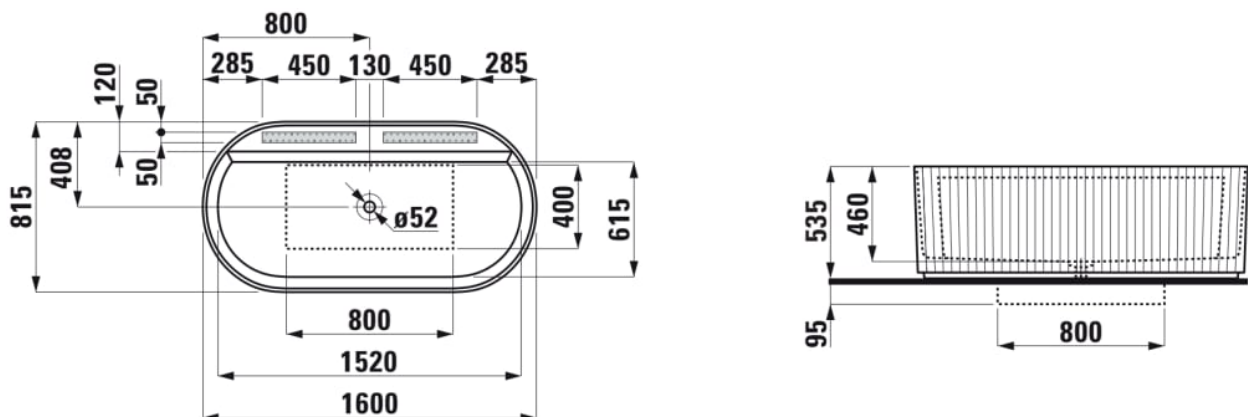
Net weight (kg) : 130

Water capacity to overflow (l) : 310

Material : Marbond

Shape : Oval

TECHNICAL DRAWINGS



COMPATIBLE WITH



Backrest, light grey

H2923400870001



Tray for Sonar bathtubs

H293340...0001

SONAR

Designed by internationally acclaimed Patricia Urquiola, SONAR draws inspiration from sound waves and water - uniting lightness and strength through the advanced materiality of Saphirkeramik to create refined, architectural forms for the bathroom.



#material_text

MARBOND

Marbond

Marbond is a composite material made of two layers which are extremely well connected with each other: The basis is formed by a high-quality mineral casting material, the surface is coated with a two millimetre thick acrylic layer. Marbond is hygienic, easy to clean, temperature resistant according to EN 263 and anti-slip (class C).