

KARTELL LAUFEN

Freestanding bathtub, made of Sentec solid surface



DIMENSIONS

Length	1715 mm
Width	815 mm
Height	520 mm

COLOUR AND FINISH

■ 065 Outside black matt/inside white matt

SPECIFICATION TEXT

Freestanding bathtub made of Sentec solid surface material with overflow slot incl. click-clack waste and chrome cover
Charge 000 – without whirl system

MOUNTING ACCESSORIES INCLUDED

click-clack waste with chrome cover, order no. 295107
Drilling template, order no. 295330
Flex-pipe 1m, order no. 294439

Drain : Included

Installation structure : Naked

Installation type : Freestanding

Internal height (mm) : 450

Internal length (mm) : 1290

Internal width (mm) : 490

Material : Sentec, Sentec

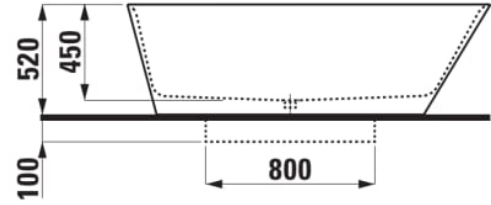
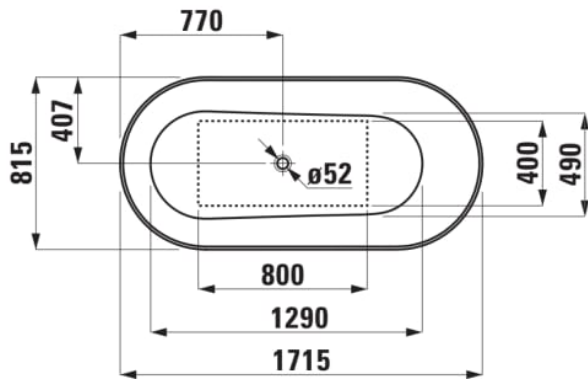
Net weight (kg) : 104

Shape : Oval

Waste diameter (mm) : 52

Water capacity to overflow (l) : 275

TECHNICAL DRAWINGS



COMPATIBLE WITH



Neck cushion, black, self-adhesive, for curved bathtub contours

H294103...0001



Neck cushion, black, self-adhesive, for straight bathtub contours

H294680...0001



Backrest, light grey

H2923400870001

Kartell LAUFEN

Kartell • LAUFEN transports you to a realm of ethereal beauty, where the ordinary dissolves into a bold fusion of colour, light, and design. This visionary collaboration redefines the bathroom, inviting you to shape a fluid, ever-evolving space, transforming it from mere function into a canvas for creativity and self-expression.



#material_text

SENTEC

Sentec

Bathing in a bathtub made of solid surface material Sentec feels like being in a natural basin. Due to a high percentage of mineral particles, the surface feels smooth. The innovative material also allows an incredible freedom of design: almost every shape is feasible – from very organic to very straight and architectural. Furthermore the non-porous surface of the material is hygienic, durable, UV-resistant, highly resistant to scratches and can be effortlessly cleaned.