

PRO

Bathtub, drop-in version, sanitary acrylic



DIMENSIONS

Length	1700 mm
Width	750 mm
Height	460 mm

COLOUR AND FINISH

<input type="checkbox"/>	000 White
--------------------------	-----------

OPTIONS

000 - standard option

SPECIFICATION TEXT

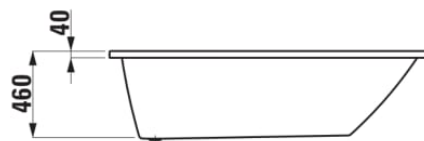
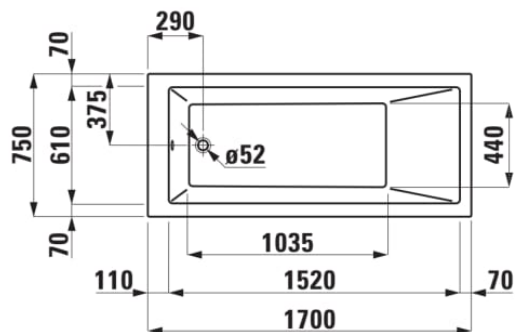
Bathtub made of sanitary acrylic of 4-5 mm
 Drop-in version, without frame
 With aluminium profiles for feet solution LAUFEN,
 order no. 29617.0
 Charge 000 – without whirl system, without waste and overflow

MOUNTING ACCESSORIES EXCLUDED

Feet solution with standard wall fixing elements,
 order no. 29617.0
 Waste and overflow, chromed,
 order no. 29511.0
 Combined water inlet and overflow, chromed
 order no. 29511.1
 Exclusive anchors and strip clamps
 order no. 29553.7
 Noise control band, order no. 29555.1
 Styrofoam carrier for bathtub, order no. 29552.3
 Fixing foam for styrofoam carrier,
 order no. 29550.0

Drain : Not included	Internal height (mm) : 460	Shape : Rectangular
Inside length at the bottom (mm) : 1035	Internal length (mm) : 1520	Tap bank
Inside width at the bottom (mm) : 440	Internal width (mm) : 610	Waste diameter (mm) : 52
Installation legs : Optional legs	Location of tap ledge : Short side	Water capacity to overflow (l) : 255
Installation structure : Naked	Material : Acrylic	
Installation type : Drop-in	Net weight (kg) : 27	

TECHNICAL DRAWINGS



PRO

LAUFEN PRO is an exceptionally comprehensive collection, offering washbasins, faucets, WCs, shower trays and bathtubs in a wide range of sizes. Rooted in modern industrial design, it unites form, function and affordability, making it a versatile solution for every scale of project, from compact apartments to large developments and public spaces, delivering lasting value for architects, designers and homeowners alike.

