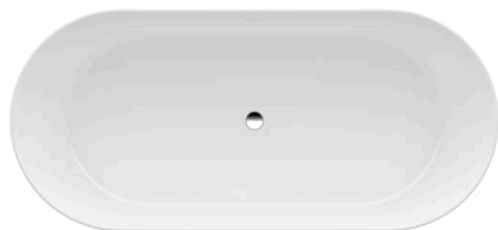


PRO

Freestanding bathtub, made of Marbond composite material



DIMENSIONS

Length	1650 mm
Width	750 mm
Height	550 mm

COLOUR AND FINISH

000 White

OPTIONS

000 - standard option

SPECIFICATION TEXT

Freestanding bathtub made of Marbond with integrated overflow with click-clack waste and chrome cover
Charge 000 – without whirl system

MOUNTING ACCESSORIES INCLUDED

click-clack waste with chrome cover, order no. H295107
Flex-pipe 1m, order no. H294439

Installation type : Freestanding

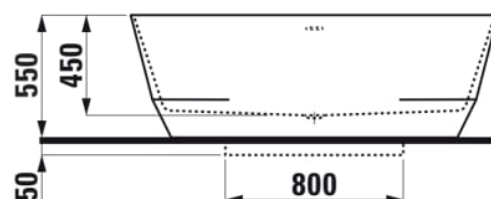
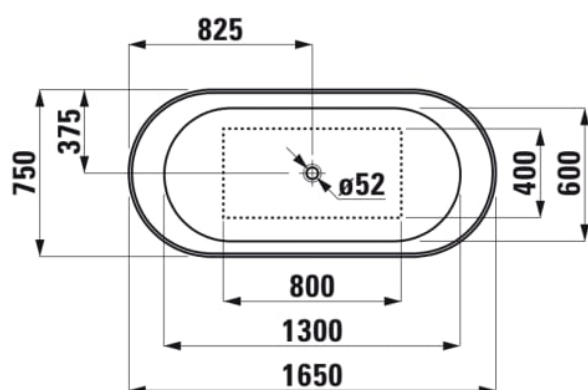
Net weight (kg) : 124

Water capacity to overflow (l) : 253

Material : Marbond

Shape : Oval

TECHNICAL DRAWINGS



PRO

LAUFEN PRO is an exceptionally comprehensive collection, offering washbasins, faucets, WCs, shower trays and bathtubs in a wide range of sizes. Rooted in modern industrial design, it unites form, function and affordability, making it a versatile solution for every scale of project, from compact apartments to large developments and public spaces, delivering lasting value for architects, designers and homeowners alike.



#material_text

MARBOND

Marbond

Marbond is a composite material made of two layers which are extremely well connected with each other: The basis is formed by a high-quality mineral casting material, the surface is coated with a two millimetre thick acrylic layer. Marbond is hygienic, easy to clean, temperature resistant according to EN 263 and anti-slip (class C).