

SONAR

Double bowl washbasin, incl. ceramic waste cover



DIMENSIONS

Length	1000 mm
Width	370 mm
Height	130 mm

COLOUR AND FINISH

000 White

OPTIONS

112 - without tap hole, without overflow

SPECIFICATION TEXT

Double washbasin bowl Laufen-SONAR, SaphirKeramik
EN 31
dimensions 1000 x 370 mm
without tap holes, without overflow, valve without overflow always open,
SaphirKeramik valve cover plate
Further options / accessories: Surface refinement LCC (only white),
bathtubs
Order no. 812348

MOUNTING ACCESSORIES INCLUDED

Charge 112 – 2x valve without overflow always
open, order no. 893344
Waste connection set LAUFEN,
order no. 894343
Fastening kit, order no. 894961

MOUNTING ACCESSORIES EXCLUDED

Siphon DN 32 chrome, order no. 374980

Basin capacity (l) : 0

Bowl length (mm) : 1000

Bowl position : Left, Right

Bowl width (mm) : 370

Double basin

Fixing kit : Included

Installation type : Bowl / On countertop

Internal Shape : 4 - Oval

Material : Saphirkeramik

Net weight (kg) : 16.7

Plug and Waste : Included

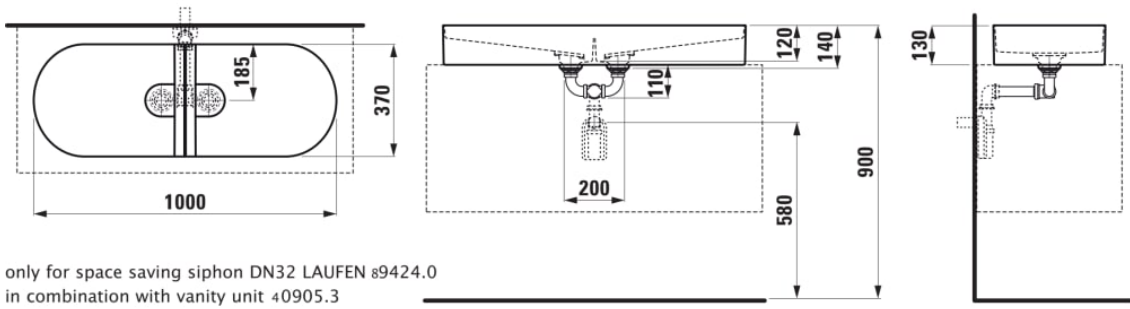
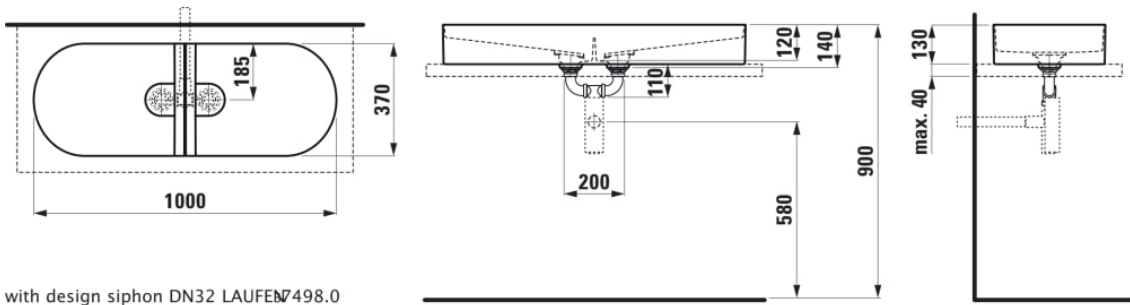
Shape : Oval

Taphole configuration : No tapholes

Waste : Included

Without overflow

TECHNICAL DRAWINGS



Cradle to Cradle Certified®
Cradle to Cradle Certified®: Product
Circularity Bronze (Version 4.1)

COMPATIBLE WITH



Brackets for wall mounting of Sonar washbasin bowls

H8943400000001



Drawer element, 1 drawer, matching washbasin bowls H812348, H812349, centre cut-out

H405471034...1



Countertop 1200, with center cut-out, 80 mm thick, incl. 2 mounting brackets

H419121151...1



Countertop 1200, with center cut-out, 80 mm thick, with tap cut-out, incl. 2 mounting brackets

H419125151...1



Countertop 1400, with center cut-out, 80 mm thick, incl. 3 mounting brackets

H419131151...1



Countertop 1400, with center cut-out, 80 mm thick, with tap cut-out, incl. 3 mounting brackets

H419135151...1



Countertop 1600, with center cut-out, 80 mm thick, incl. 3 mounting brackets

H419141151...1



Countertop 1600, with center cut-out, 80 mm thick, with tap cut-out, incl. 3 mounting brackets

H419145151...1



Countertop 1200, with center cut-out, 65 mm thick, incl. 2 installation brackets

H404671112...1



Countertop 1400, with centre cut-out, 65 mm thick, incl. 3 installation brackets

H404681112...1



Countertop 1600, with centre cut-out, 65 mm thick, incl. 3 installation brackets

H404691112...1



Drawer element 1200, 2 drawers, with center cut-out, 12 mm top

H404331112...1



SONAR

Designed by internationally acclaimed Patricia Urquiola, SONAR draws inspiration from sound waves and water - uniting lightness and strength through the advanced materiality of Saphirkeramik to create refined, architectural forms for the bathroom.



#material_text

saphirkeramik

Saphirkeramik

Saphirkeramik, patented and available on the market is one of the latest, globally significant innovation from LAUFEN. This revolutionary, ceramic material reaches its exceptional hardness blended with corundum, a colourless mineral, which is a component of sapphires. This gives Saphirkeramik a flexural strength equal to that of steel. Yet it has the potential to be wafer-thin, giving designers almost infinite freedom to experiment – and tear up the rulebook of bathroom design.