

INO

## Vanity washbasin, shelf left



### DIMENSIONS

Length	900 mm
Width	450 mm
Height	120 mm

### COLOUR AND FINISH

<input type="checkbox"/>	000 White
--------------------------	-----------

### OPTIONS

104 - one tap hole, centre

Asymmetrical

Bowl length (mm) : 548

Bowl position : Right

Bowl width (mm) : 340

Glazed base

Installation type : Vanity, Wall-hung

Integrated shelf

Internal Shape : 5 - Soft

Material : Saphirkeramik

Net weight (kg) : 14.53

Number of fixing points : 2

Overflow type : Standard

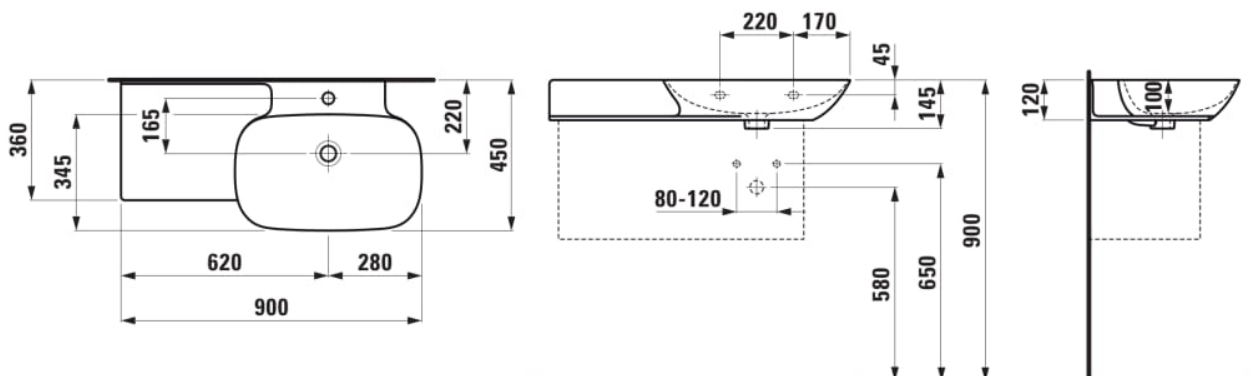
Shape : Soft

Shelf position : Left

Taphole configuration : 1 taphole in the middle

Cradle to Cradle Certified®  
Cradle to Cradle Certified®: Product  
Circularity Bronze (Version 4.1)

### TECHNICAL DRAWINGS



COMPATIBLE WITH



Vanity unit made of aluminium, 1 drawer, aluminium, matches washbasins H813301, H813302

**H425401030...1**



Vanity unit, 1 drawer, matching countertop washbasins H813301, H813302

**H403001110...1**



Vanity unit, 2 drawers, matching countertop washbasins H813301, H813302

**H403002110...1**



Vanity unit, 1 drawer, with handle aluminum black, matching vanity washbasins H813301, H813302

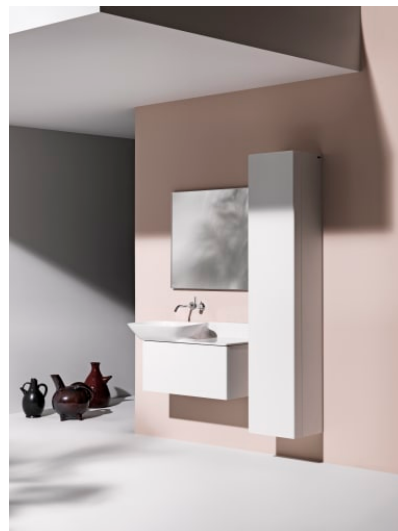
**H403003110...1**



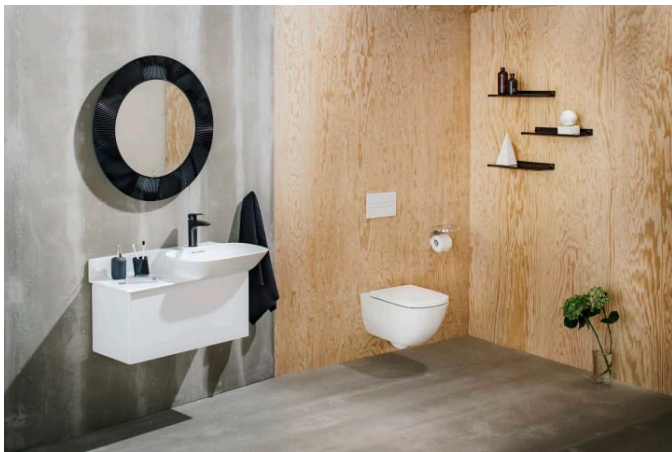
Vanity unit, 2 drawers, floorstanding, with handle aluminum black

**H403004110...1**











## INO

INO, designed by Toan Nguyen, reinterprets the classic washbasin with graceful simplicity. Using the unique properties of Saphirkeramik, the collection transforms everyday functionality into seemingly weightless forms for contemporary bathrooms.



#material\_text

saphirkeramik

## Saphirkeramik

Saphirkeramik, patented and available on the market is one of the latest, globally significant innovation from LAUFEN. This revolutionary, ceramic material reaches its exceptional hardness blended with corundum, a colourless mineral, which is a component of sapphires. This gives Saphirkeramik a flexural strength equal to that of steel. Yet it has the potential to be wafer-thin, giving designers almost infinite freedom to experiment – and tear up the rulebook of bathroom design.