

PRO S

Double washbasin

DIMENSIONS

Length	1300 mm
Width	465 mm
Height	95 mm

COLOUR AND FINISH

000 White

OPTIONS

104 - one tap hole, centre



SPECIFICATION TEXT

Double countertop basin LAUFEN PRO S, sanitary ceramic EN 31, dimensions 1300 x 460 mm, angular per basin 1 centre tap hole

Special feature: overflow channel glazed

Further options / accessories: Surface refinement LCC (only white), per basin 3 tap holes, without tap holes, per basin 1 tap hole without overflow, without tap holes and overflow, per basin 3 tap holes distance 8 inches, per basin 3 tap holes without overflow, siphon cover, pedestal, towel rack, bathtubs, furniture Order no. 81496.8

Bowl length (mm) : 540

Bowl position : Central

Bowl width (mm) : 295

Double basin

Glazed base

Installation type : Vanity, Wall-hung

Internal Shape : 6 - Rectangular

Material : Ceramics

Net weight (kg) : 34

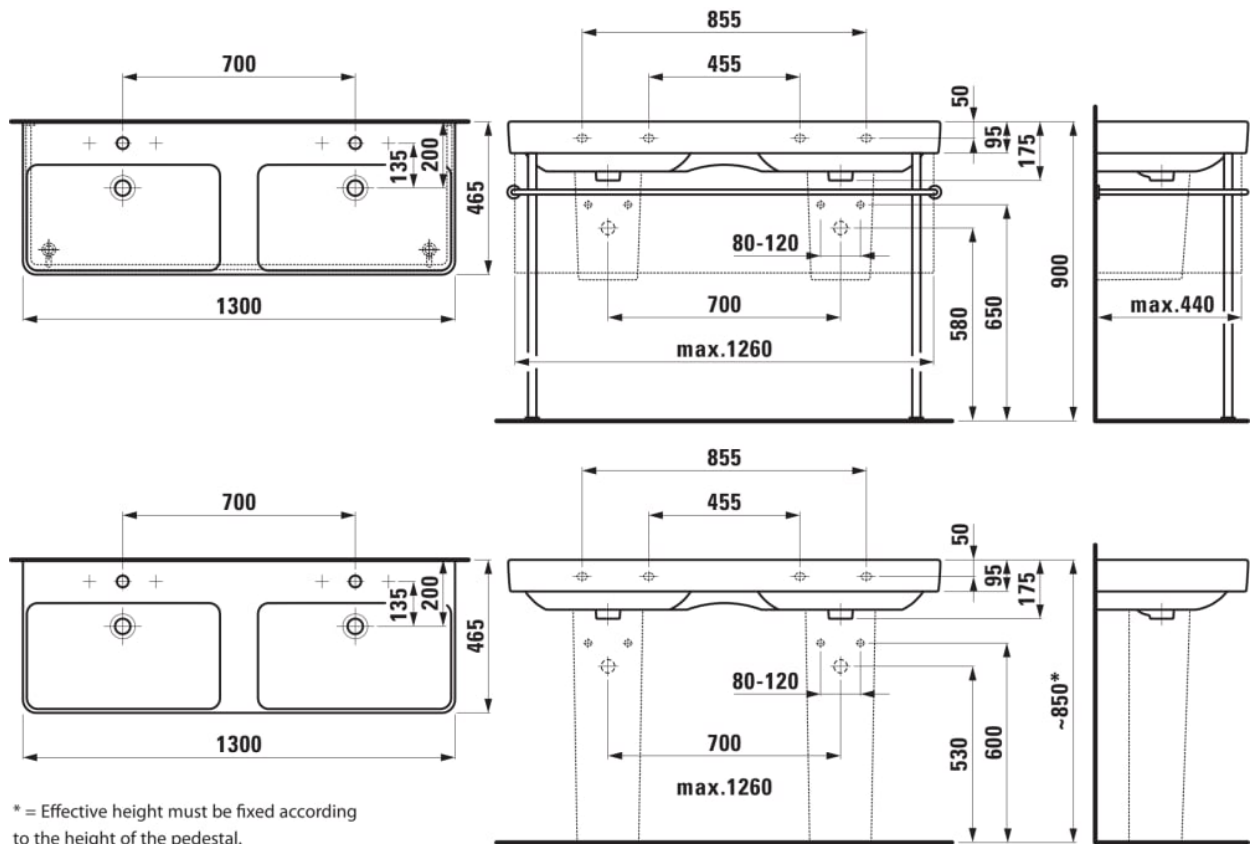
Number of fixing points : 4

Overflow type : Standard

Shape : Rectangular

Taphole configuration : 1 taphole in the middle

TECHNICAL DRAWINGS



COMPATIBLE WITH



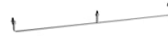
Vanity unit, 2 drawers, incl. drawer organiser, matches washbasin H814968

H483571096...1



Vanity unit, 2 drawers and interior drawer, incl. drawer organiser, matches washbasin H814968

H483572096...1



Towel holder Reling 1300 mm

H381129...0001



Vanity unit, 4 drawers, matches washbasin H814968

H402514110...1



Vanity unit, 4 drawers, matches washbasin PRO S H814968

H411334108...1



Vanity unit, 4 drawers, matches washbasin PRO S H814968

H411554109...1





PRO S

With great sensitivity, designer Peter Wirz of Vetica Design has evolved the LAUFEN PRO concept into a slimmer, more geometric form. Defined by precise radii and a light silhouette, LAUFEN PRO S unites elegance with everyday functionality, bringing premium design within reach while combining effortlessly with existing pieces from the LAUFEN PRO collection.

