

## CAPRINO

### Siphonic urinal 'rimless', internal water inlet



#### DIMENSIONS

Length	320 mm
Width	350 mm
Height	645 mm

#### COLOUR AND FINISH

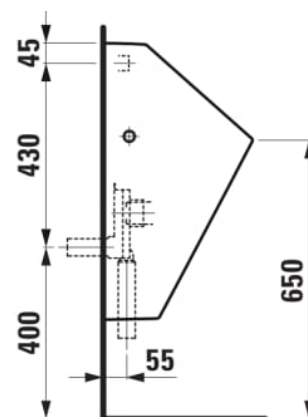
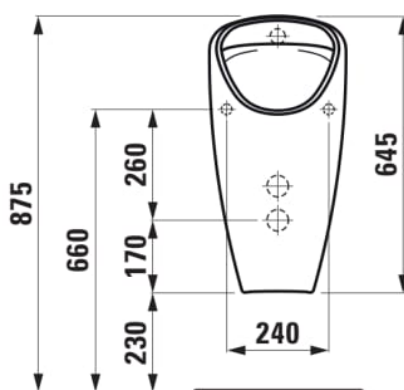
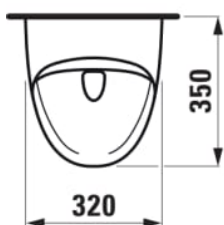
000 White

#### OPTIONS

000 - standard option

Net weight (kg) : 16.4

#### TECHNICAL DRAWINGS



COMPATIBLE WITH



INEOLINK concealed frame  
for urinals with external  
flush, cartridge technology

**H9401010000001**

## CAPRINO

The caprino plus urinal not only offers sparkling innovation, but also good design in public and highly frequented sanitary amenities. Visually appealing, the conical design of caprino plus also conceals ingenious inner workings in the shape of a 1 litre siphonic urinal which saves water and costs and is also completely odourless.

