

## CAPRINO

Siphonic urinal 'rimless', internal water inlet, without mounting holes for cover, with electronic control system, mains operated (230V), with integrated bluetooth



### DIMENSIONS

Length	320 mm
Width	350 mm
Height	645 mm

### COLOUR AND FINISH

<input type="checkbox"/>	000 White
--------------------------	-----------

### OPTIONS

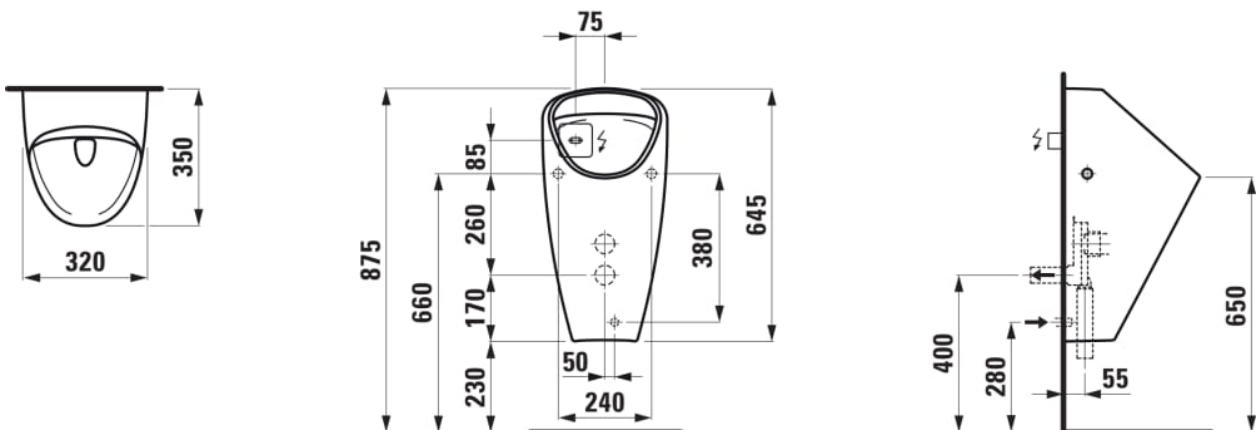
401 - with waste water pipe DN 50

### SPECIFICATION TEXT

Option 401 – with waste water pipe DN 50

Net weight (kg) : 18.5

### TECHNICAL DRAWINGS



## CAPRINO

The caprino plus urinal not only offers sparkling innovation, but also good design in public and highly frequented sanitary amenities. Visually appealing, the conical design of caprino plus also conceals ingenious inner workings in the shape of a 1 litre siphonic urinal which saves water and costs and is also completely odourless.

