

PRODUCT DETAILS

Dimensions 397x145x145 mm (LxWxH)

Weight 2,1 kg

Colors 

PMR standard compliant

Compatibility Suitable for standard 5L trash bags

SPECIFICATIONS

Lid and container Glazed ceramic

Removable bucket and retaining ring Polypropylène

INSTALLATION

Wall mounting On tile, brick, plasterboard, wood, aminate.
With our wall mounting kit.

On the floor or on a piece of furniture

Concealed fixings

KIT CONTENT

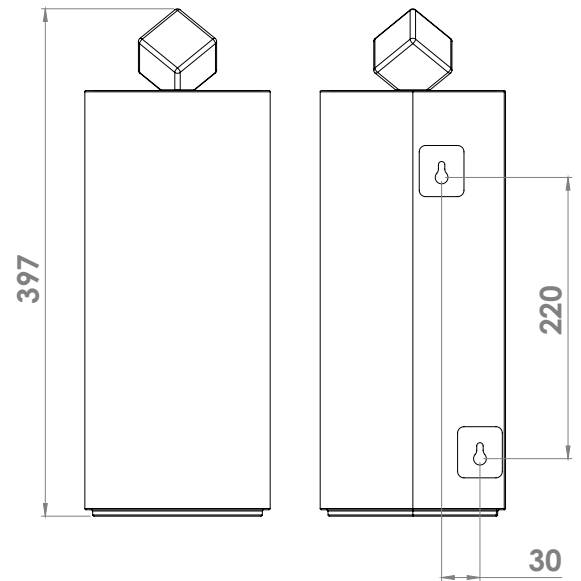
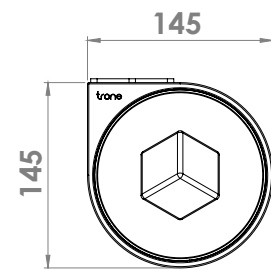
Supplied parts

- Ceramic container
- Ceramic lid
- Plastic bucket
- Rubbish bag retaining ring
- Wall fixture kit

MAINTENANCE

**pH-neutral products:
+ Non-abrasive sponge** Glass cleaner, Black soap,
Household alcohol

Not to be use: Hydrochloric acid, Ammonia,
White vinegar, Bleach,
Household acids



**Our plans indicate all the necessary dimensions, taking standard tolerances into account. These dimensions are indicative. The exact dimensions can only be taken from the finished product.*